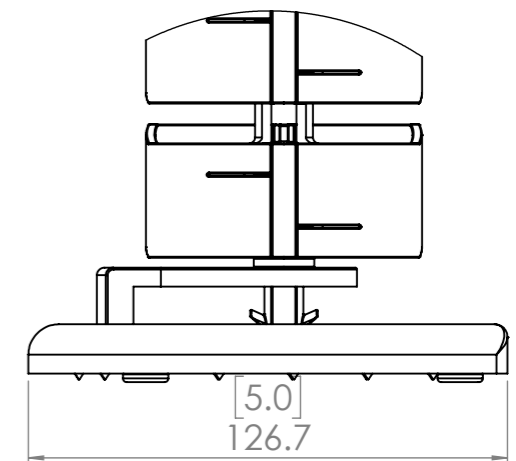

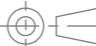


DETAIL A
SCALE 1 : 2



DETAIL B
SCALE 1 : 2

CUSTOMER SIGNATURE:	TOLERANCES UNLESS OTHERWISE STATED:	 CMS Electracom <small>COPYRIGHT © 2015</small>	
MATERIAL: PC	X ±0.5 X.X ±0.2 X.XX ±0.1 X.XXX ±0.05 ANG ±0.5°		
FINISH:		DRAWING: LU31327	REV: 1
COLOUR: VARIOUS	DRAWN IN mm TO AS1100 DO NOT SCALE 	SCALE 1:20 SHEET 1 OF 1	
THIS DRAWING & ASSOCIATED CAD FILES ARE ISSUED IN THE STRICTEST CONFIDENCE AND ARE ONLY TO BE USED IN THE COMMERCIAL INTERESTS OF CMS ELECTRACOM PTY LTD			