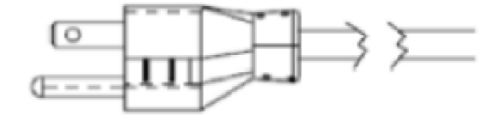


COLOUR VARIATIONS		
PART NUMBER	PLASTIC COMPONENTS	EXTRUSION
WT	WHITE	ANODISED SILVER
BK	BLACK	ANODISED SILVER
BB	BLACK	POWDERCOATED BLACK MANNEX
WW	WHITE	POWDERCOATED WHITE SATIN

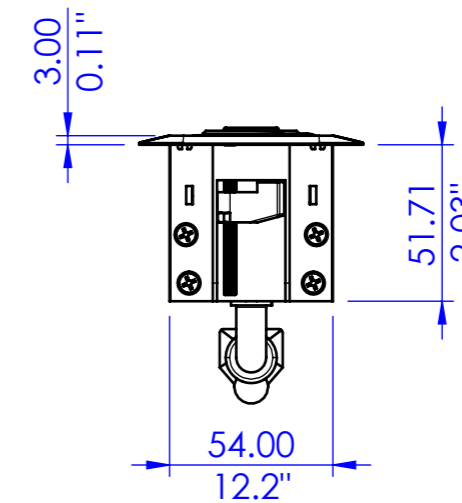
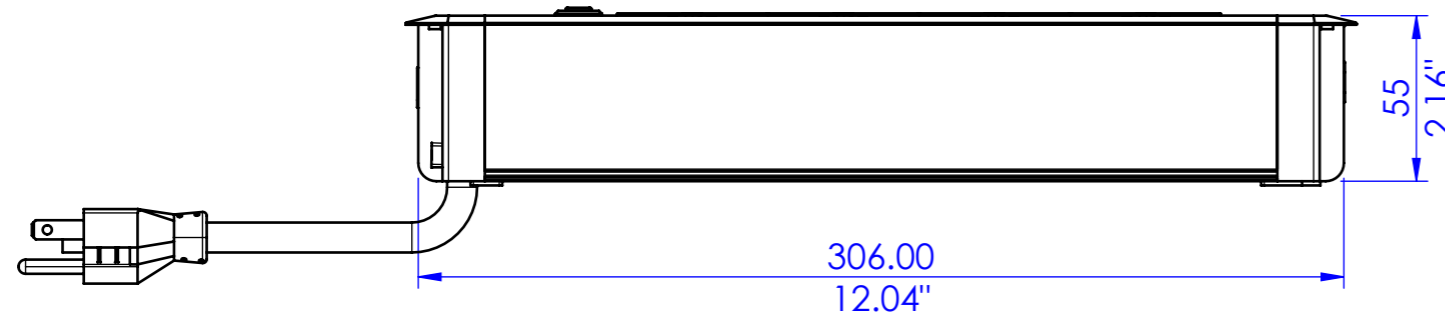
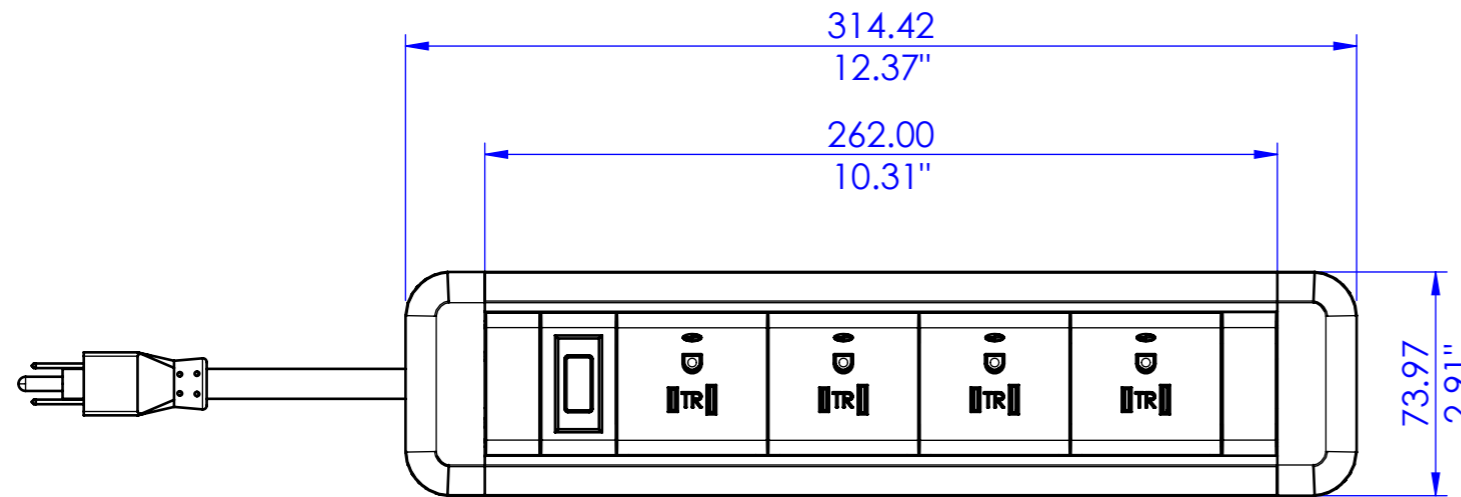
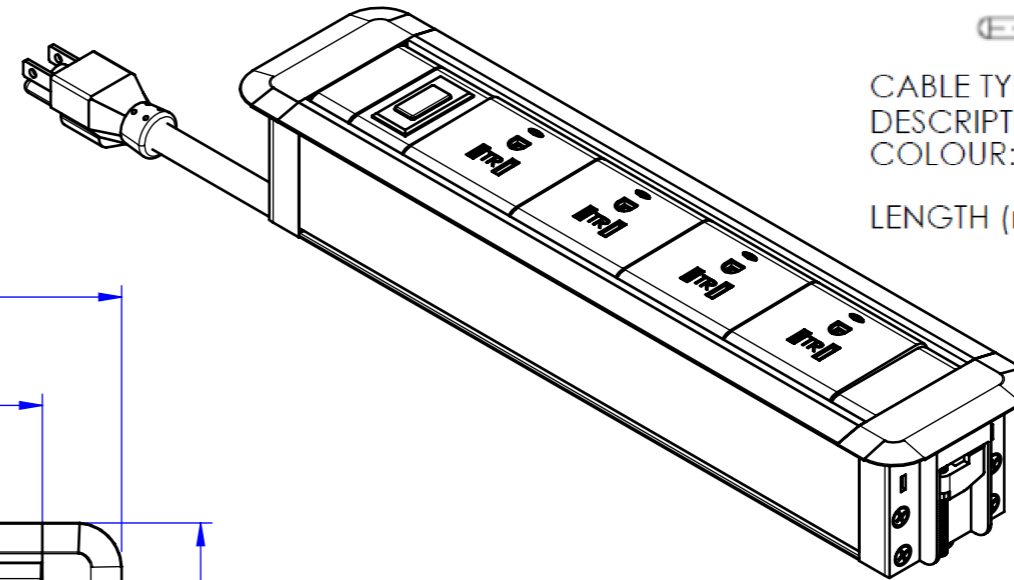
NOTE:



CABLE TYPE: 3 CORE x 2.08mm<sup>2</sup> (14AWG)  
 DESCRIPTION: US PLUG LEAD  
 COLOUR: WHITE OR BLACK  
 (REFER TO PURCHASE ORDER)

LENGTH (mm):

x	LENGTH
A	1.5FT (457.2mm)
B	3.0FT (914.4mm)
C	4.0FT (1219.2mm)
D	5.0FT (1524mm)
E	6.0FT (1828.8mm)
F	8.0FT (2438.4mm)
G	10.0FT (3048mm)
H	12.0FT (3657.6mm)
I	15.0FT (4572mm)
J	18.0FT (5486.4mm)
K	21.0FT (6400.8mm)
L	24.0FT (7315.2mm)



**PART NUMBER: ICE4SXXX**

NOTE - x - LENGTH A / B / C / D / E / F / G / H / I / J / K / L  
 XX - COLOUR - WT / BK / WW / BB

12.12" (308mm)  
 CUTOUT (-0.0 + 2.0mm)  
 2.18" (55.5mm)  
 R0.19" (5.00mm)

<b>CUSTOMER SIGNATURE:</b>	<b>TOLERANCES UNLESS OTHERWISE STATED:</b>
<b>MATERIAL:</b> POLYCARBONATE / ALUMINIUM	X ±0.5 X.X ±0.2 X.XX ±0.1 X.XXX ±0.05 ANG ±0.5°
<b>FINISH:</b> FINE EDM / ANODISED (POWDER COAT)	
<b>COLOUR:</b> WHITE / BLACK	



**TITLE:**  
 CENTRA WITH SWITCH + 4  
 DUBUSRW US SOCKET

<b>DRAWING:</b> LU35745	<b>REV:</b> 3	<b>A3</b>
----------------------------	------------------	-----------

REV	DESCRIPTION	DATE	DRWN	APPV
3	DRAWING FORMAT UPDATED, 18MM TILE UPDATED IN BOM	17/2/2021	JB	RG
2	RELEASED FOR PRODUCTION	29/5/2020	JB	RG
1	RELEASED FOR QUOTATION - NOT FOR PRODUCTION	21/5/2020	JB	RG

THIS DRAWING & ASSOCIATED CAD FILES ARE ISSUED IN THE STRICTEST CONFIDENCE AND ARE ONLY TO BE USED IN THE COMMERCIAL INTERESTS OF CMS ELECTRACOM PTY LTD

DRAWN IN mm TO AS1100 DO NOT SCALE