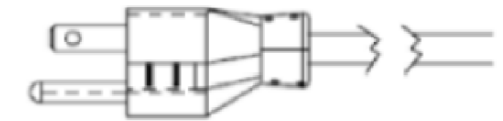


COLOUR VARIATIONS		
PART NUMBER	PLASTIC COMPONENTS	EXTRUSION
WT	WHITE	ANODISED SILVER
BK	BLACK	ANODISED SILVER
BB	BLACK	POWDERCOATED BLACK MANNEX
WW	WHITE	POWDERCOATED WHITE SATIN

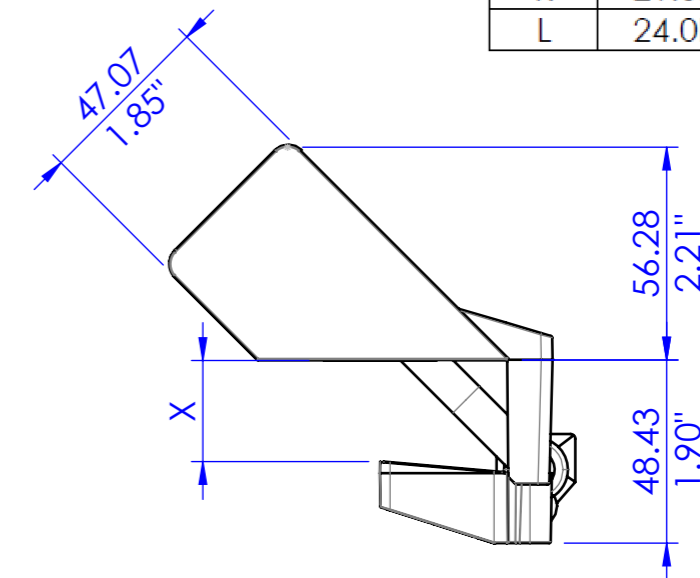
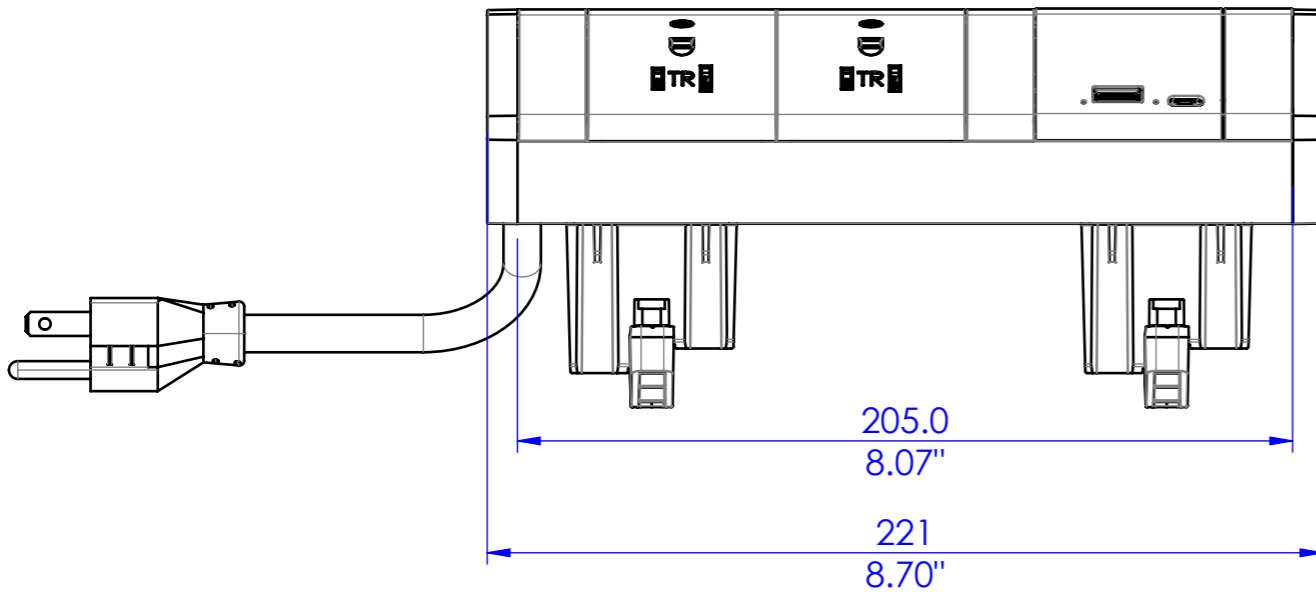
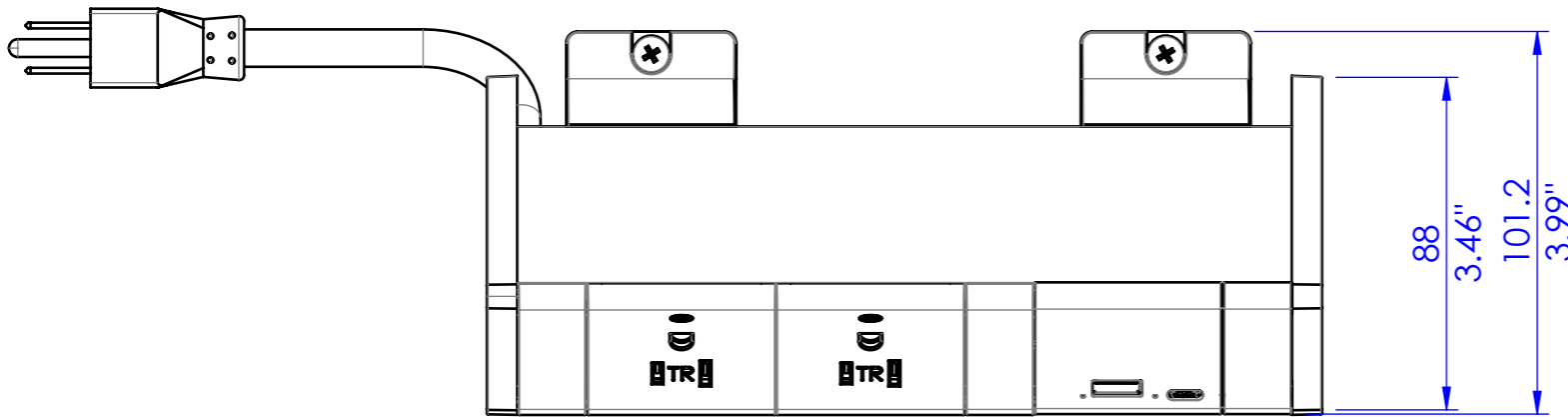
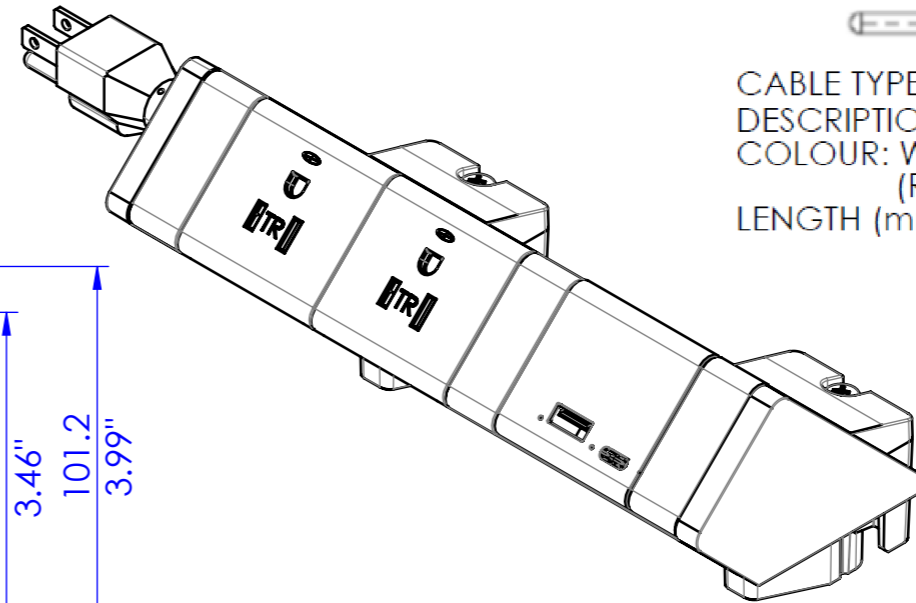
NOTE:



CABLE TYPE: 3 CORE x 2.08mm² (14AWG)
 DESCRIPTION: US PLUG LEAD
 COLOUR: WHITE OR BLACK
 (REFER TO PURCHASE ORDER)

LENGTH (mm):


x	LENGTH
A	1.5FT (457.2mm)
B	3.0FT (914.4mm)
C	4.0FT (1219.2mm)
D	5.0FT (1524mm)
E	6.0FT (1828.8mm)
F	8.0FT (2438.4mm)
G	10.0FT (3048mm)
H	12.0FT (3657.6mm)
I	15.0FT (4572mm)
J	18.0FT (5486.4mm)
K	21.0FT (6400.8mm)
L	24.0FT (7315.2mm)



MIN TABLE THICKNESS : 0.75" (19mm)
 MAX TABLE THICKNESS : 1.25" (32mm)

PART NUMBER: 1AN2U4xXX

NOTE - x - LENGTH A / B / C / D / E / F / G / H / I / J / K / L
 XX - COLOUR - WT / BK / WW / BB

CUSTOMER SIGNATURE:		TOLERANCES UNLESS OTHERWISE STATED: X ±0.5 X.X ±0.2 X.XX ±0.1 X.XXX ±0.05 ANG ±0.5°	 CMS Electracom <small>COPYRIGHT © 2015</small>	
MATERIAL: POLYCARBONATE / ALUMINIUM				
FINISH: FINE EDM / ANODISING (POWDER COAT)			TITLE: ATHENA 2 WITH 2 DUBUSRW US SOCKET + 1 SW18UAC3FL	
COLOUR: REFER TABLE			DRAWING: LU36864	
THIS DRAWING & ASSOCIATED CAD FILES ARE ISSUED IN THE STRICTEST CONFIDENCE AND ARE ONLY TO BE USED IN THE COMMERCIAL INTERESTS OF CMS ELECTRACOM PTY LTD		DRAWN IN mm TO AS1100 DO NOT SCALE	REV: 1	
1 RELEASED FOR PRODUCTION 15/9/2020 JB RG		SCALE 1:2		A3
REV DESCRIPTION DATE DRWN APPV		SHEET 1 OF 2		
REVISIONS				