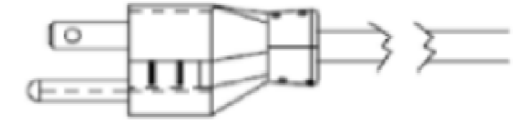


COLOUR VARIATIONS		
PART NUMBER	PLASTIC COMPONENTS	EXTRUSION
WT	WHITE	ANODISED SILVER
BK	BLACK	ANODISED SILVER
BB	BLACK	POWDERCOATED BLACK MANNEX
WW	WHITE	POWDERCOATED WHITE SATIN

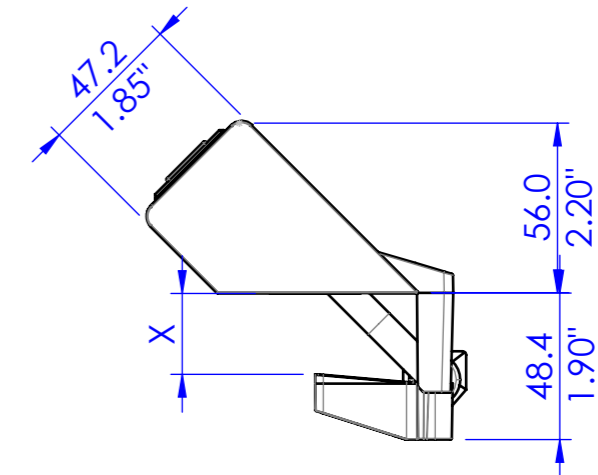
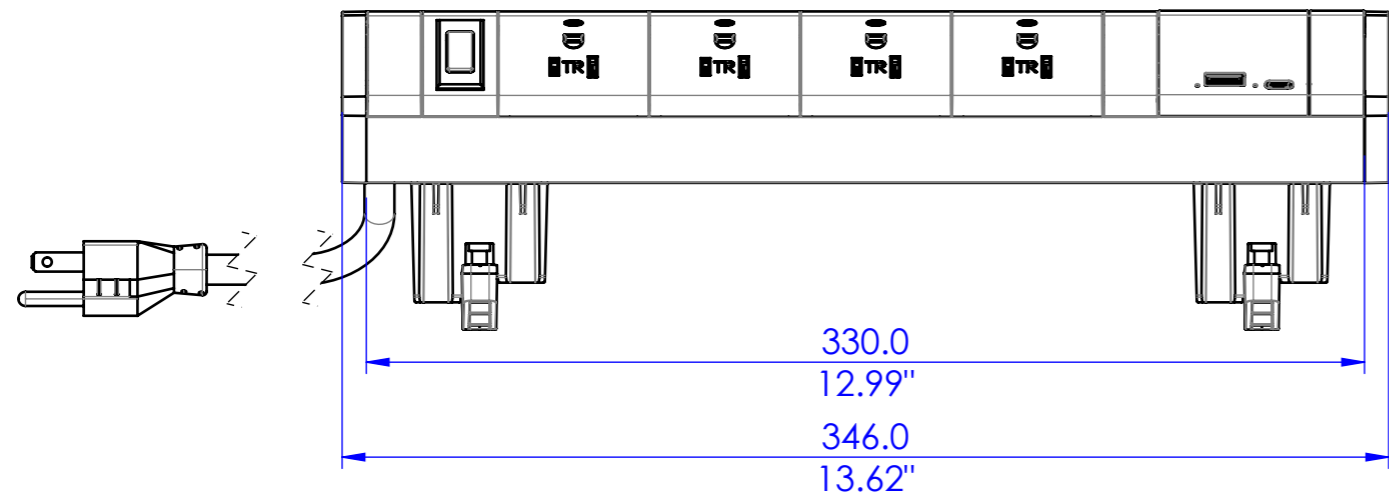
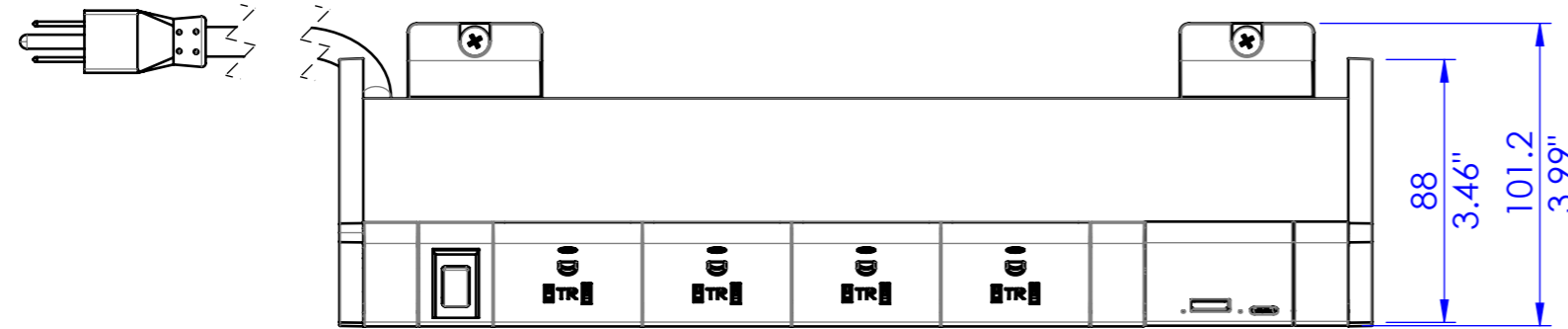
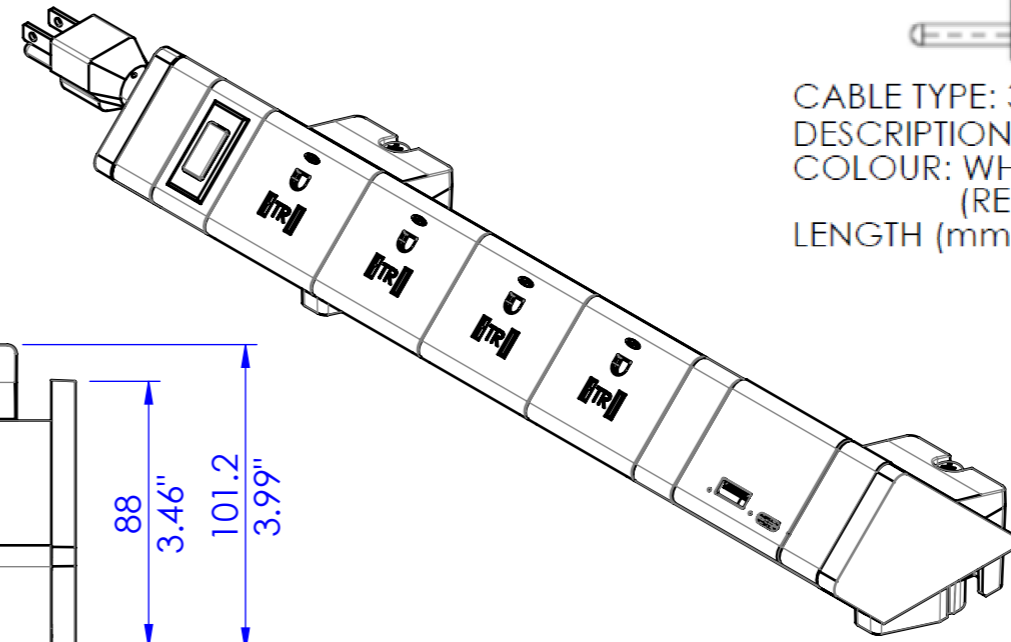
NOTE:



CABLE TYPE: 3 CORE x 2.08mm² (14AWG)
 DESCRIPTION: US PLUG LEAD
 COLOUR: WHITE OR BLACK
 (REFER TO PURCHASE ORDER)

LENGTH (mm):



x	LENGTH
A	1.5FT (457.2mm)
B	3.0FT (914.4mm)
C	4.0FT (1219.2mm)
D	5.0FT (1524mm)
E	6.0FT (1828.8mm)
F	8.0FT (2438.4mm)
G	10.0FT (3048mm)
H	12.0FT (3657.6mm)
I	15.0FT (4572mm)
J	18.0FT (5486.4mm)
K	21.0FT (6400.8mm)
L	24.0FT (7315.2mm)



MIN TABLE THICKNESS : 0.75" (19mm)
 MAX TABLE THICKNESS : 1.25" (32mm)

PART NUMBER: 1AN4SU4xXX

NOTE - x - LENGTH A / B / C / D / E / F / G / H / I / J / K / L
 XX - COLOUR - WT / BK / WW / BB

CUSTOMER SIGNATURE:		TOLERANCES UNLESS OTHERWISE STATED: X ±0.5 X.X ±0.2 X.XX ±0.1 X.XXX ±0.05 ANG ±0.5°	 CMS Electracom <small>COPYRIGHT © 2015</small>	
MATERIAL: POLYCARBONATE / ALUMINIUM				
FINISH: FINE EDM / ANODISING (POWDER COAT)			TITLE: ATHENA 2 WITH SWITCH + 4 DUBUSRW US SOCKET + 1 SW18UAC3FL	
COLOUR: REDER TABLE			DRAWING: LU36865	
THIS DRAWING & ASSOCIATED CAD FILES ARE ISSUED IN THE STRICTEST CONFIDENCE AND ARE ONLY TO BE USED IN THE COMMERCIAL INTERESTS OF CMS ELECTRACOM PTY LTD		DRAWN IN mm TO AS1100 DO NOT SCALE 		REV: 1
SCALE 1:2		SHEET 1 OF 2		A3

1	RELEASED FOR PRODUCTION	15/9/2020	JB	RG
REV	DESCRIPTION	DATE	DRWN	APPV
REVISIONS				