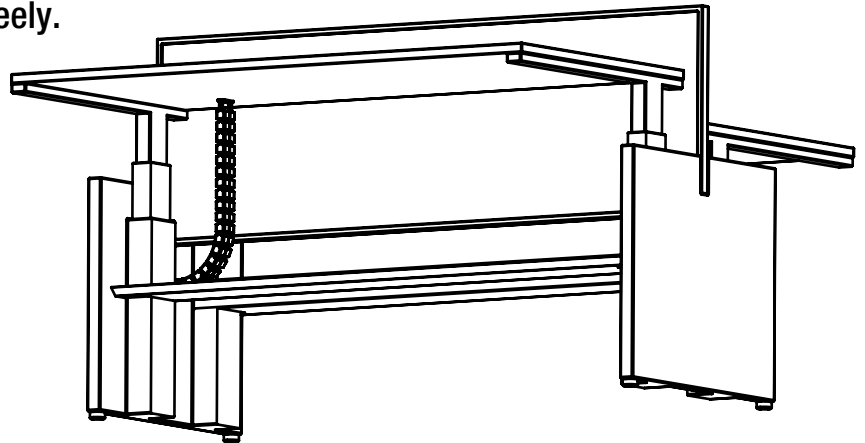
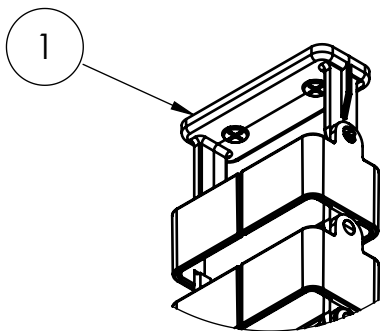
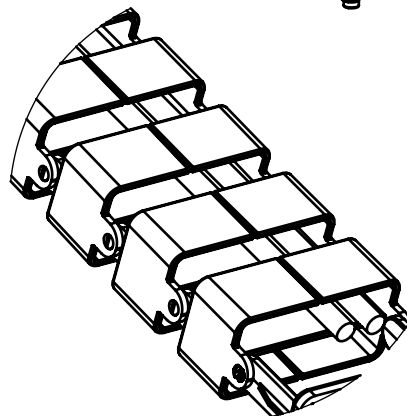
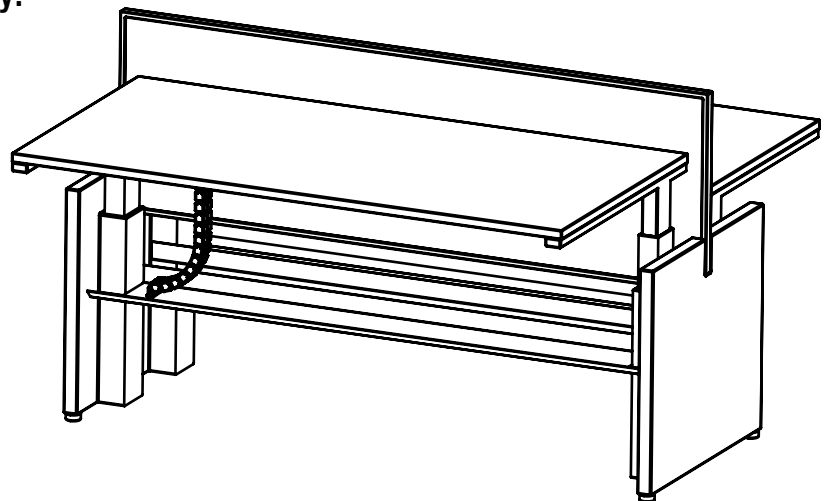
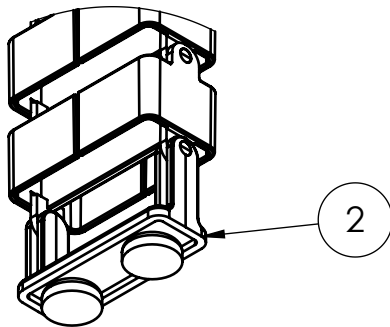


Trax Umbilical - cable tray to desk installation

Screw fix mounting bracket 1 to the underside of the workstation. Ensure this location is in-line with the cable tray below, so the umbilical moves up and down freely.



Screw fix mounting bracket 2 to the cable tray or attach to the cable tray by fitting the magnets to the mounting bracket with the nuts provided. Ensure this location is in-line with the mounting bracket above, so the umbilical moves up and down freely.



Fit Power and Data cables into the umbilical by pressing them into the separation in each umbilical section. Carefully check that umbilical is allowed to move freely up and down.

NOTE: MAGNETS WILL NOT SECURE TO ALUMINIUM SURFACES