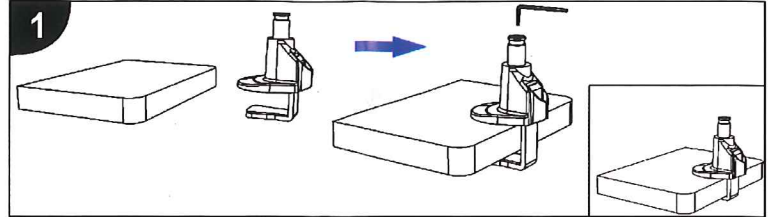


Quick Installation Guide

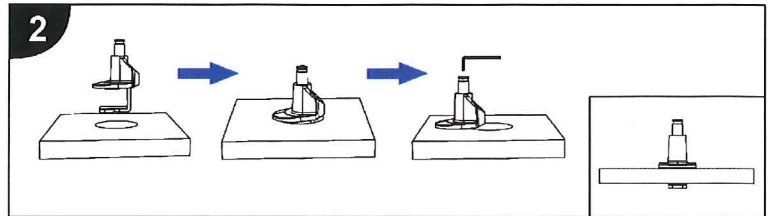
Executive Series Single Monitor Arm Installation

Base Installation - Clamp Style

Step 1 - Fit clamp over the edge of the desk in desired location and tighten using provided allen wrench as shown in Figure #1.

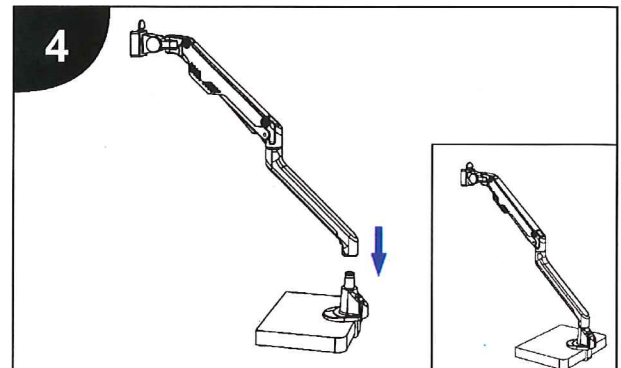


Step 2 - Clamp may also be fitted into the cable guide hole featured on some desks. Insert the bottom half of clamp into opening and tighten into place as shown in Figure #2.



Arm Installation

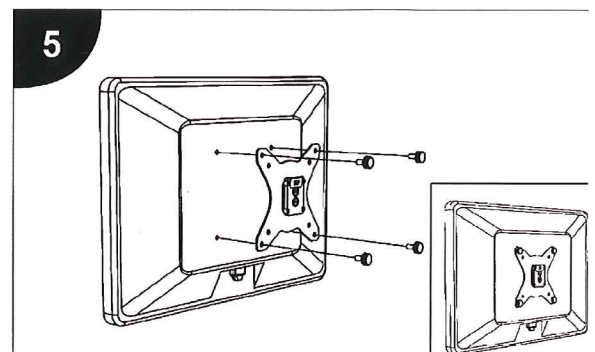
Step 1 - Install arm onto base. Note upper and lower arm sections should be secured together using provided screw as shown in Figure #4.



VESA Bracket/Monitor Installation

Step 1 - Lay monitor on a flat surface. Using the provided monitor screws (M4) secure VESA bracket to the back of monitor as shown in Figure #5.

Step 2 - Install monitor onto arm. Align VESA bracket to opening and slid into place as shown in Figure #6.



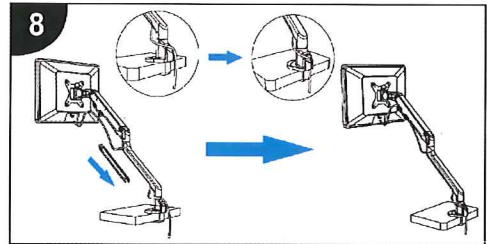
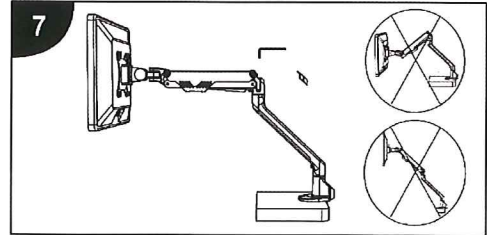
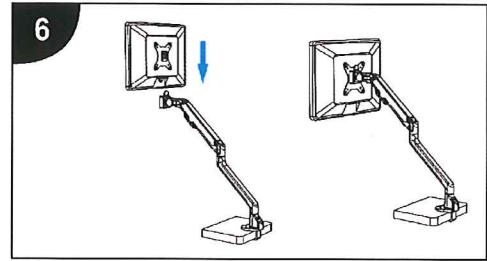
Quick Installation Guide (continue)

Executive Series Single Monitor Arm Installation

Adjust Arm Tension

Step 1 - In order to adjust the tension of the monitor arm according to the weight of the monitor the arm must be lowered to a horizontal position as shown in Figure #7.

Step 2 - Using the provided allen wrench adjust the arm's tension to hold your arm in the proper position. Turn the wrench to the right (+) for heavier monitors and to the left (-) for lighter monitors.








Cable Management

Monitor cables may be threaded through the upper and lower arm sections in order to complete the installation.

Note: An allowance of extra cable should be left to accommodate arm movement.

Parts list - Executive Series Single Monitor Arm

Item	Description	Quantity	Item	Description	Quantity
	Desk Clamp	1		Monitor Screw	4
	ARM	1		Allen Wrench	4
	Vesa Bracket	1			