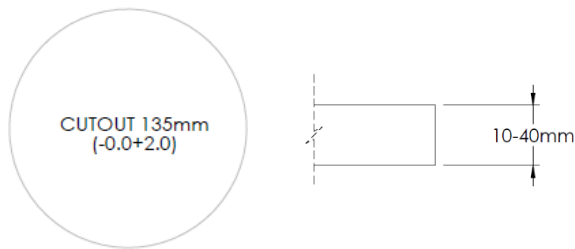
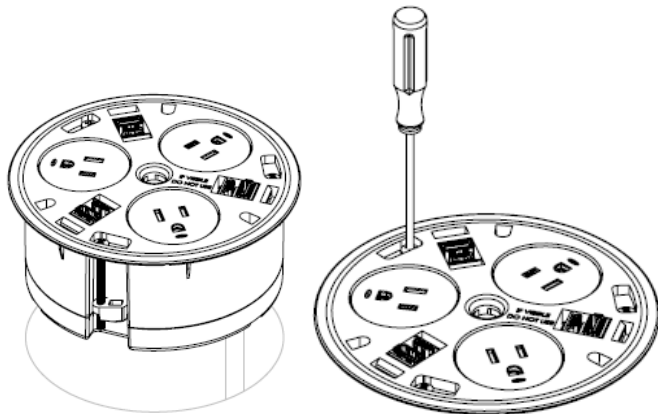


# BLINKY In desk Application



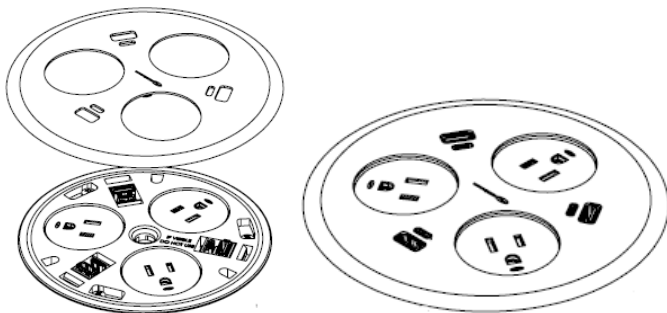
## STEP 1:

Cut – Out diameter 135mm ( 5.315”)Hole on the surface for thicknesses of 10 – 40mm (0.39”- 1.57”)



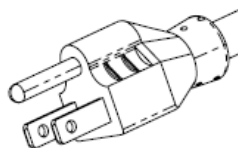
## STEP 2:

Fit Blinky unit into hole & tighten 3 screws using a screw driver as shown



## STEP 3:

Align top cover with Blinky Unit  
Push down and check that cover fits flat and even to surface



## Step 4:

Connect to power

**Note:** No user serviceable parts inside. If failure occurs or the supply cord is damaged, please contact CMS Electracom.

**A Furniture Power Distribution Unit is not for permanent installation as part of the building structure and not for mounting in a permanently-installed furnishing such as a fixed countertop.**