

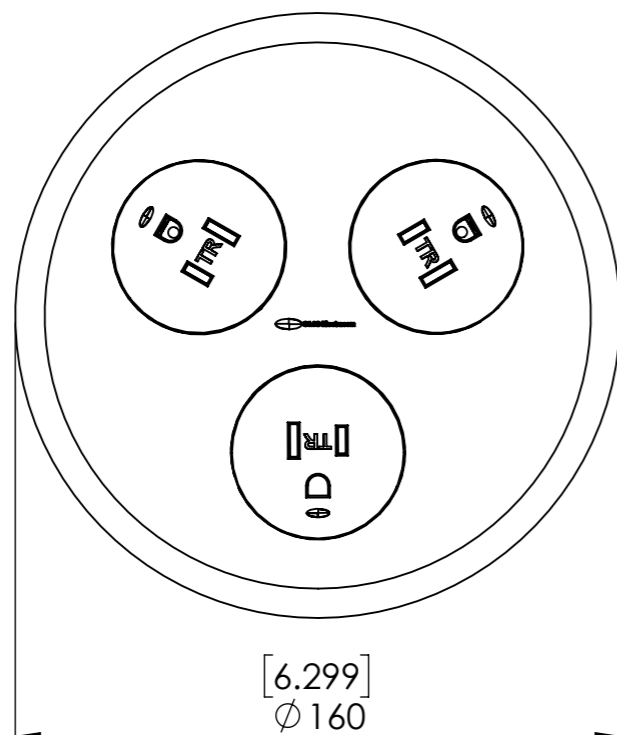
NOTE:



CABLE TYPE: 3 CORE x 2.08mm² (14AWG)
 DESCRIPTION: US PLUG LEAD
 COLOUR: WHITE OR BLACK
 (REFER TO PURCHASE ORDER)

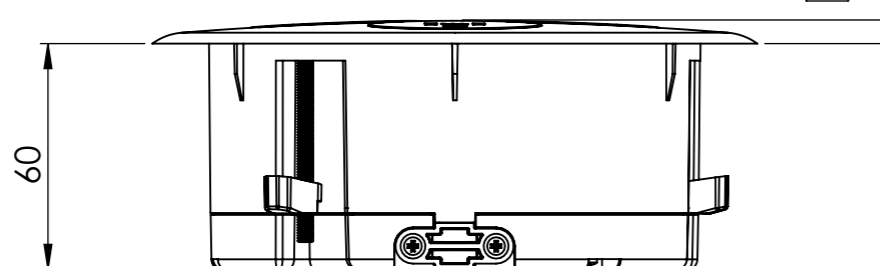
LENGTH (mm):

1FT (305mm)
2FT (610mm)
3FT (915mm)
4FT (1220mm)
5FT (1525mm)
6FT (1830mm)
7FT (2135mm)
8FT (2440mm)



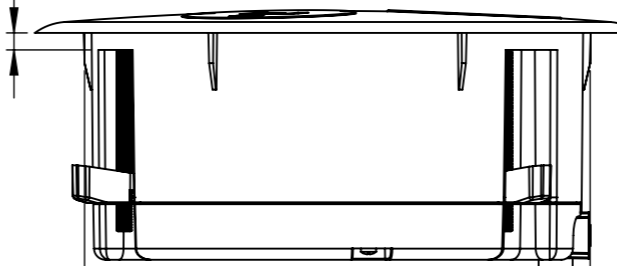
[6.299]
 Ø160

[0.246]
 6

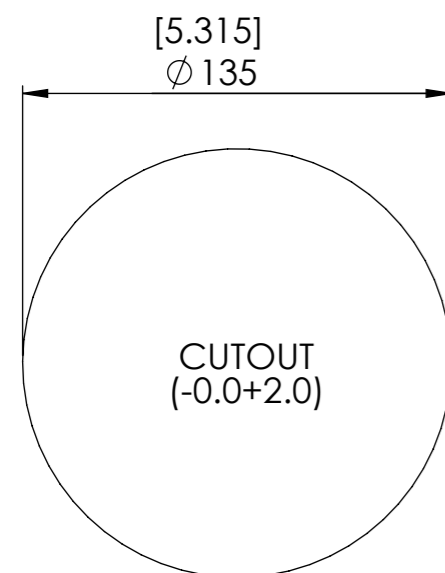
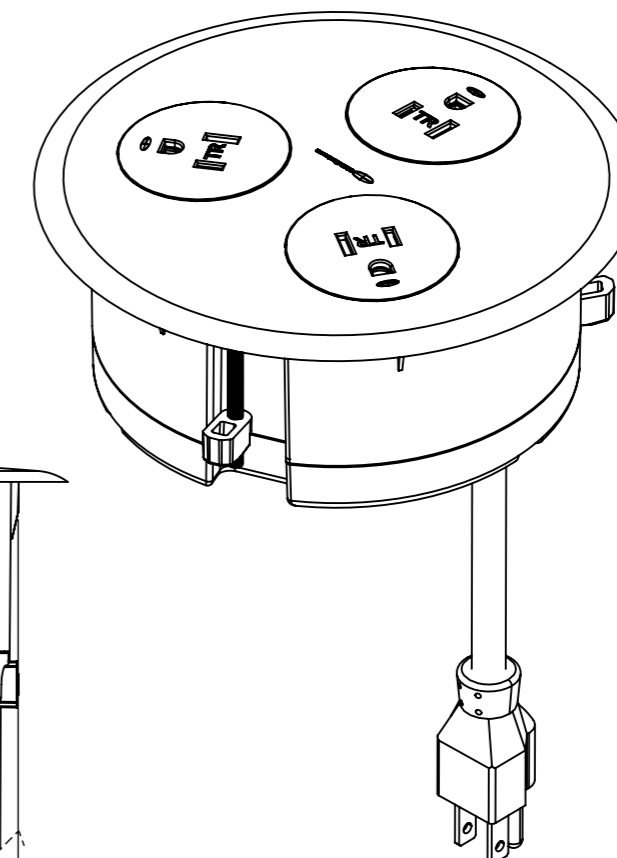


60

[0.177]
 4.5



[5.264]
 134




[5.315]
 Ø135

CUTOUT
 (-0.0+2.0)

REV	DESCRIPTION	DATE	DRWN	APPV
4	LEAD LENGTH TABLE ADDED	13/1/2021	JB	RG
3	BOM UPDATED	11/2/2020	JB	RG
2	UL LABELS ADDED	10/2/2020	JB	RG
1	RELEASED FOR PRODUCTION	5/06/2019	JC	RG
REVISIONS				

CUSTOMER SIGNATURE:
MATERIAL: PC
FINISH: TEXTURED
COLOUR: VARIOUS
THIS DRAWING & ASSOCIATED CAD FILES ARE ISSUED IN THE STRICTEST CONFIDENCE AND ARE ONLY TO BE USED IN THE COMMERCIAL INTERESTS OF CMS ELECTRACOM PTY LTD

TOLERANCES UNLESS OTHERWISE STATED: X ±0.5 X.X ±0.2 X.XX ±0.1 X.XXX ±0.05 ANG ±0.5°
DRAWN IN mm TO AS1100 DO NOT SCALE

 **CMS Electracom** COPYRIGHT © 2015

TITLE:
BLINKY WITH 3 X US GPO

DRAWING: LU31438 **REV:** 4 **A3**

SCALE 1:2 SHEET 1 OF 2