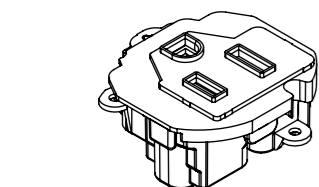
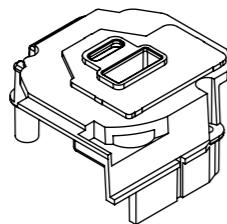
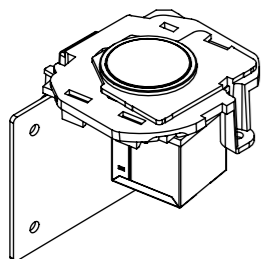


USB AC MODUAL = U

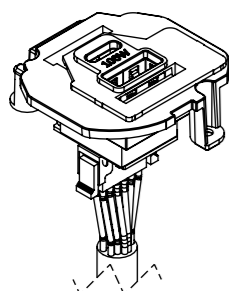
USE SC\_CMS129\_08 WHEN INSTALLING USB



US SOCKET OUTLET = H

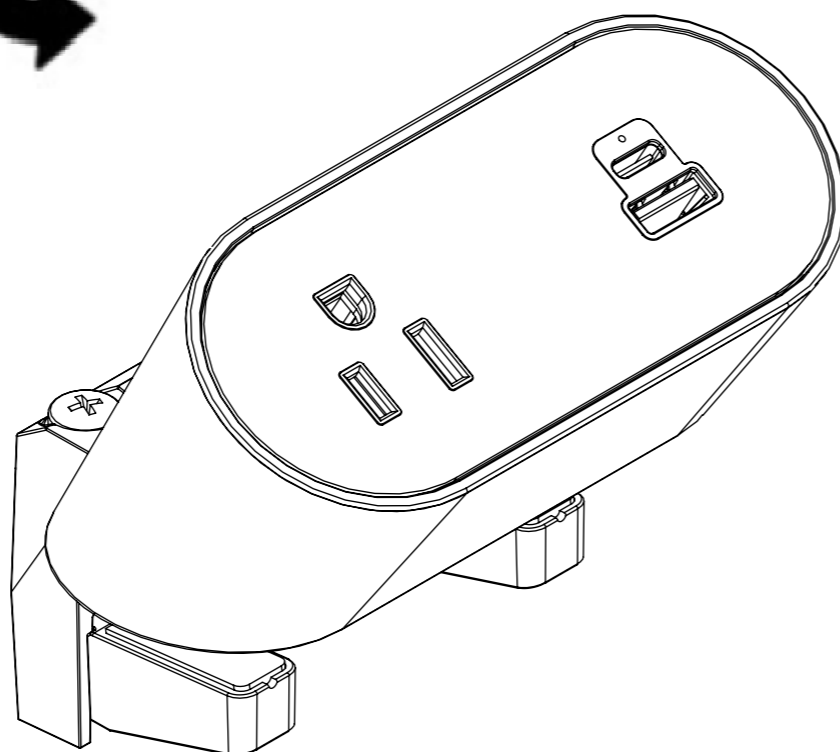


ENGAGE = N  
ENGAGE + RFID = R

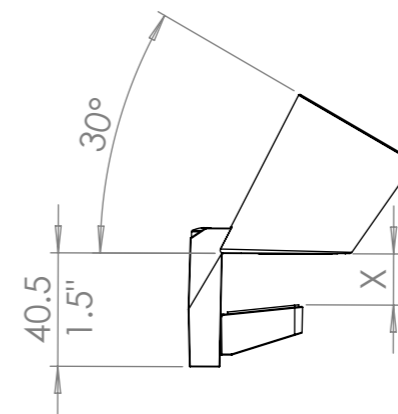


100W USB AC = V

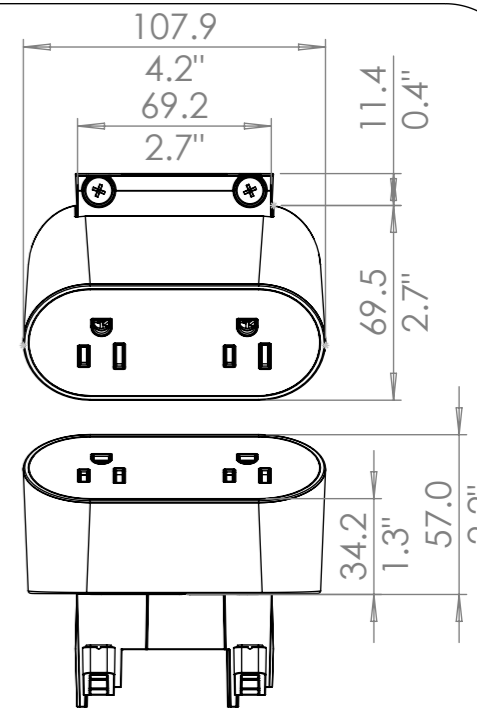
**FACTORY ONLY INSERTABLE MODULES.  
REFER PAGE 2 FOR MODULE  
CONFIGURATIONS**



**ABOVE DESK CLAMP**

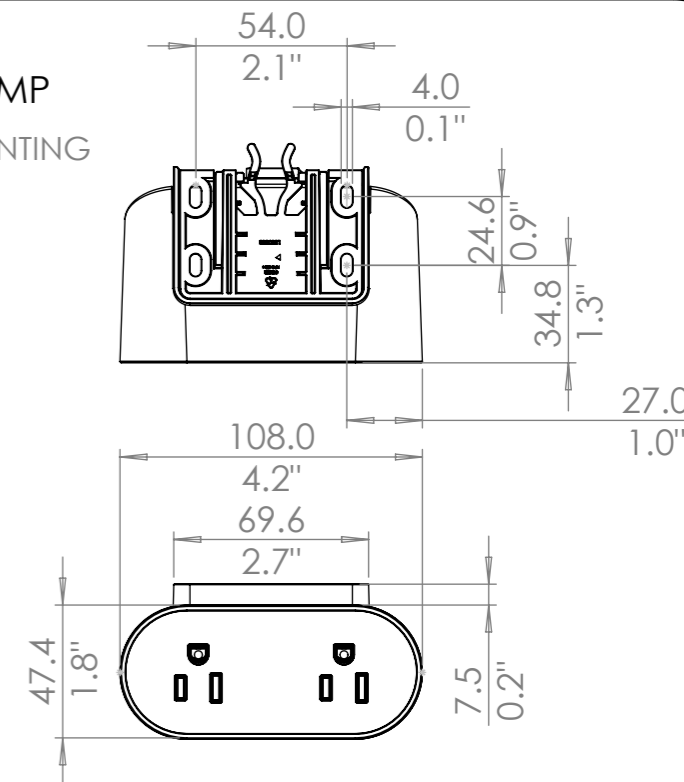
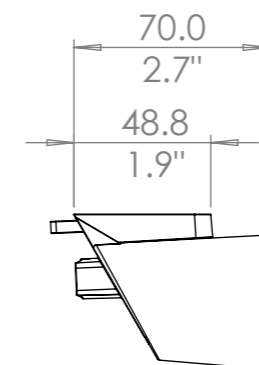


MIN TABLE THICKNESS: 20MM (0.78")  
MAX TABLE THICKNESS 32MM (1.25")



**UNDER DESK CLAMP**

COMPATIBLE MOUNTING  
SCREWS: 4G, 6G



REV	DESCRIPTION	DATE	DRWN	APPV
5	ENGAGE CONFIGURATION ADDED	13/4/2023	JB	RG
4	SCREW NOTE ADDED FOR USED OF TYPE 25 OR TYPE B	28/7/2022	JB	RG
3	ITEM 10 IN BOM CHANGED TO 4G x 3/8" PAN HEAD SELF TAPPING SCREW TYPE B	10/2/2022	JB	RG
2	BOM UPDATED	19/5/2021	JB	RG
1	RELEASED FOR EVALUATION	5/5/2021	JB	RG
REV	DESCRIPTION	DATE	DRWN	APPV

<b>CUSTOMER SIGNATURE:</b>
<b>MATERIAL:</b> PC FR
<b>FINISH:</b> FINE EDM / POLISHED / FABRIC
<b>COLOUR:</b> REFER TABLE
THIS DRAWING & ASSOCIATED CAD FILES ARE ISSUED IN THE STRICTEST CONFIDENCE AND ARE ONLY TO BE USED IN THE COMMERCIAL INTERESTS OF CMS ELECTRACOM PTY LTD

TOLERANCES UNLESS OTHERWISE STATED:

X ±0.5  
X.X ±0.2  
X.XX ±0.1  
X.XXX ±0.05  
ANG ±0.5°

DRAWN IN mm TO AS1100 DO NOT SCALE

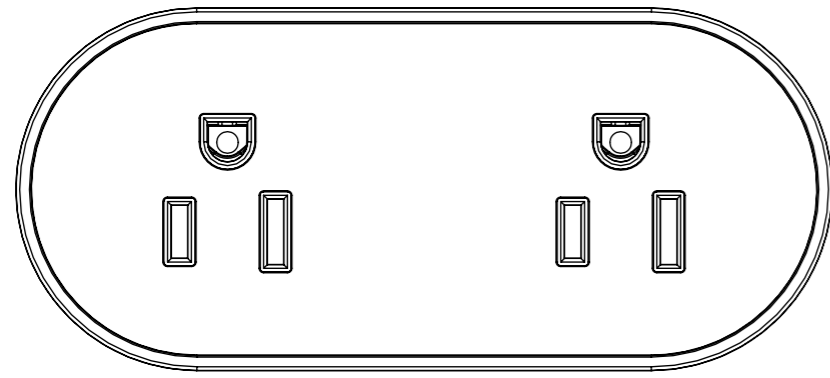


**TITLE:**  
NOVA DUO US CONFIGURATIONS

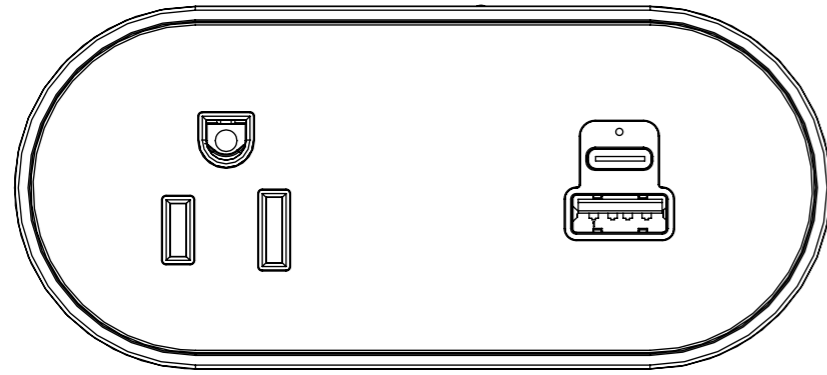
**DRAWING:** LU37767  
**REV:** 5

SCALE 1:2 SHEET 1 OF 8

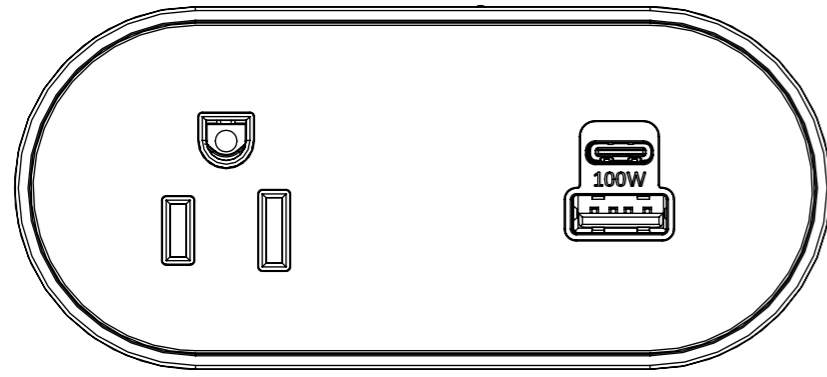
A3



ND\*HHXxxXX

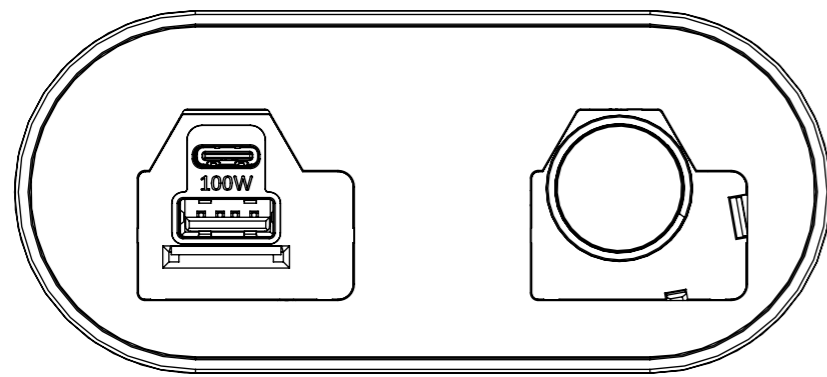


ND\*HUXxxXX



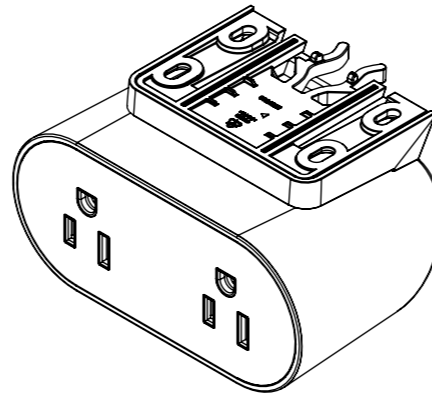
ND\*HVXxxXX

ONLY AVAILABLE IN ABOVE DESK CLAMP

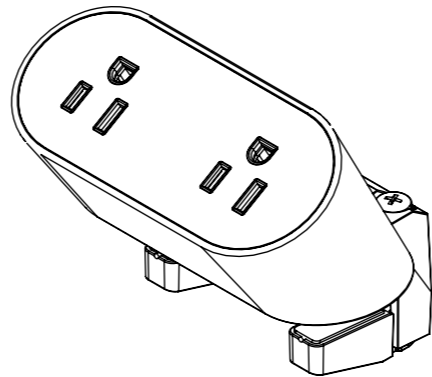


ND\*V#XxxXX

ONLY AVAILABLE IN ABOVE DESK CLAMP



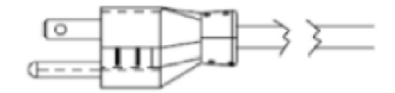
Z = UNDER DESK CLAMP



S = ABOVE DESK CLAMP

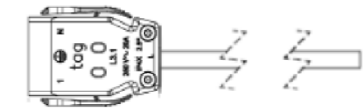
COLOUR VARIATIONS	
PART NUMBER	DESCRIPTION
W	WHITE BODY & CLAMP
B	BLACK BODY & CLAMP
1	WHITE DECAL GLOSS
2	WHITE DECAL MATT
3	BLACK DECAL GLOSS
4	BLACK DECAL MATT
FABRIC FINISH REFER TO LU38547	
A	FABRIC COLOUR 1
B	FABRIC COLOUR 2
C	FABRIC COLOUR 3
D	FABRIC COLOUR 4

NOTE:



CABLE TYPE: 3 CORE x 2.08mm<sup>2</sup> (14AWG)  
 DESCRIPTION: US PLUG LEAD  
 COLOUR: WHITE OR BLACK  
 (REFER TO PURCHASE ORDER)

x	LENGTH
A	1.5FT (457.2mm)
B	3.0FT (914.4mm)
C	4.0FT (1219.2mm)
D	5.0FT (1524mm)
E	6.0FT (1828.8mm)
F	8.0FT (2438.4mm)
G	10.0FT (3048mm)
H	12.0FT (3657.6mm)
I	15.0FT (4572mm)
J	18.0FT (5486.4mm)
K	21.0FT (6400.8mm)
L	24.0FT (7315.2mm)



CABLE TYPE: 3 CORE x 2.08mm<sup>2</sup> (14AWG)  
 DESCRIPTION: TAG CONNECTOR LEAD  
 COLOUR: WHITE OR BLACK  
 (REFER TO PURCHASE ORDER)

x	LENGTH
A	1.5FT (457.2mm)
B	3.0FT (914.4mm)
C	4.0FT (1219.2mm)
D	5.0FT (1524mm)
E	6.0FT (1828.8mm)
F	8.0FT (2438.4mm)
G	10.0FT (3048mm)
H	12.0FT (3657.6mm)
I	15.0FT (4572mm)
J	18.0FT (5486.4mm)
K	21.0FT (6400.8mm)
L	24.0FT (7315.2mm)

**PART NUMBER:** (REFER CONFIGURATION)xxXX


NOTE - \* - CLAMP TYPE - (S = ABOVE DESK OR Z = UNDER DESK)

# - ENGAGE (N = ENGAGE OR R = ENGAGE + RFID)

X - LEAD TYPE (US TYPE B = B OR TAG = T)

xx - LENGTH - A / B / C / D / E / F / G / H / I / J / K / L

XX - COLOUR - W / B + 1 / 2 / 3 / 4 + (OPTIONAL) A / B / C / D

<b>CUSTOMER SIGNATURE:</b>	<b>TOLERANCES UNLESS OTHERWISE STATED:</b>	 <b>CMS Electracom</b> COPYRIGHT © 2020
<b>MATERIAL:</b> PC FR	X ±0.5 X.X ±0.2 X.XX ±0.1 X.XXX ±0.05 ANG ±0.5°	
<b>FINISH:</b> FINE EDM / POLISHED / FABRIC		<b>TITLE:</b> NOVA DUO US CONFIGURATIONS
<b>COLOUR:</b> REFER TABLE		<b>DRAWING:</b> LU37767
THIS DRAWING & ASSOCIATED CAD FILES ARE ISSUED IN THE STRICTEST CONFIDENCE AND ARE ONLY TO BE USED IN THE COMMERCIAL INTERESTS OF CMS ELECTRACOM PTY LTD	DRAWN IN mm TO AS1100 DO NOT SCALE	<b>REV:</b> 5
		<b>A3</b>
		SCALE 1:2
		SHEET 2 OF 8