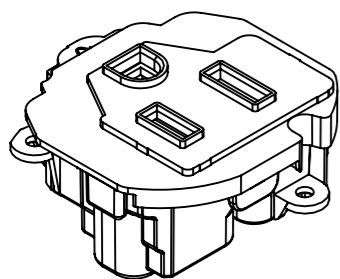
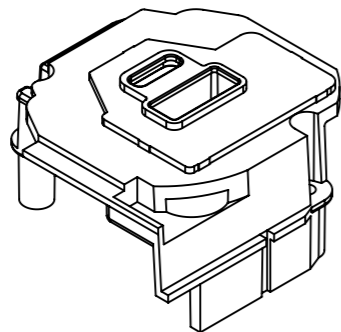


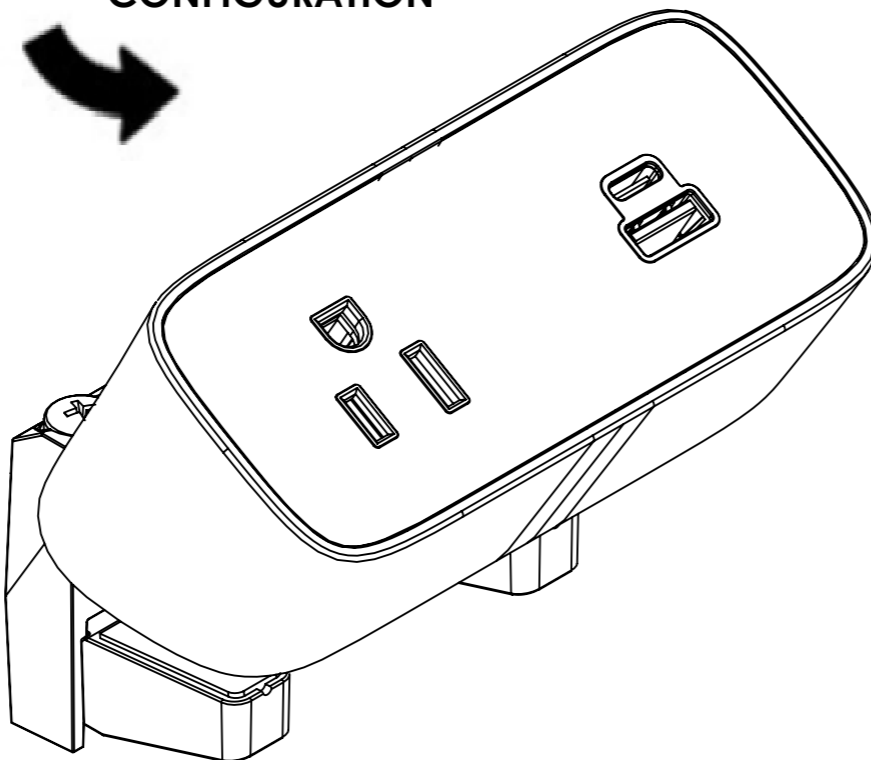
USB AC MODUAL = U

USE SC_CMS129_08
WHEN INSTALLING USB

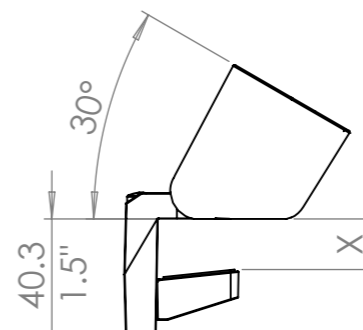


SOCKET OUTLET = H

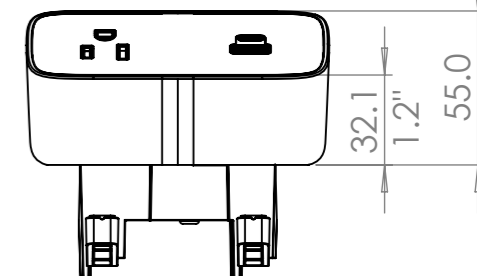
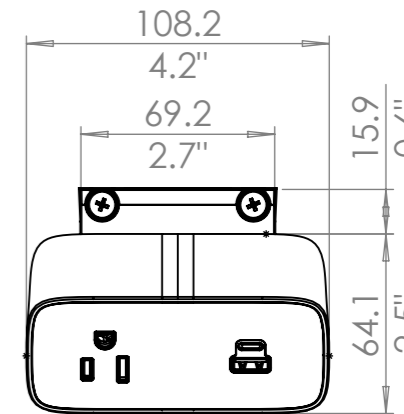
**FACTORY ONLY INSERTABLE MODULES
REFER PAGE 2 FOR MODULE
CONFIGURATION**



ABOVE DESK CLAMP

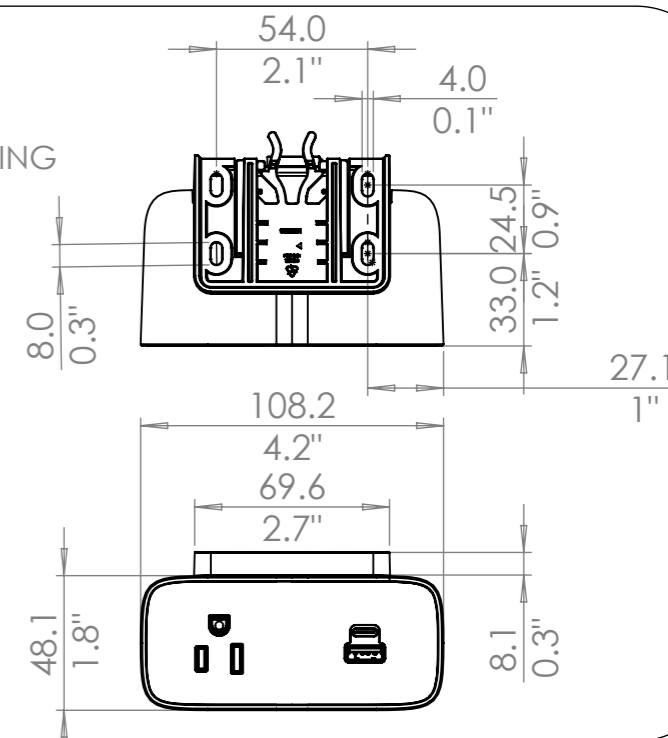
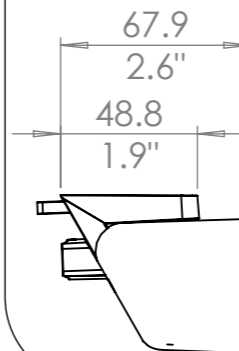


MIN TABLE THICKNESS: 20MM (0.78")
MAX TABLE THICKNESS 32MM (1.25")



UNDER DESK CLAMP

COMPATIBLE MOUNTING
SCREWS: 4G, 6G



REV	DESCRIPTION	DATE	DRWN	APPV
4	SCREW NOTE ADDED FOR USE OF TYPE 25 OR TYPE B	28/7/2022	JB	RG
3	ITEM 12 IN BOM CHANGED TO 4G x 3/8" PAN HEAD SELF TAPPING SCREW TYPE B	10/2/2022	JB	RG
2	BOM UPDATED	19/5/2021	JB	RG
1	RELEASED FOR EVALUATION	13/5/2021	JB	RG
REV	DESCRIPTION	DATE	DRWN	APPV

CUSTOMER SIGNATURE:
MATERIAL: PC FR
FINISH: FINE EDM / POLISHED / FABRIC
COLOUR: REFER TABLE
THIS DRAWING & ASSOCIATED CAD FILES ARE ISSUED IN THE STRICTEST CONFIDENCE AND ARE ONLY TO BE USED IN THE COMMERCIAL INTERESTS OF CMS ELECTRACOM PTY LTD

TOLERANCES UNLESS OTHERWISE STATED:

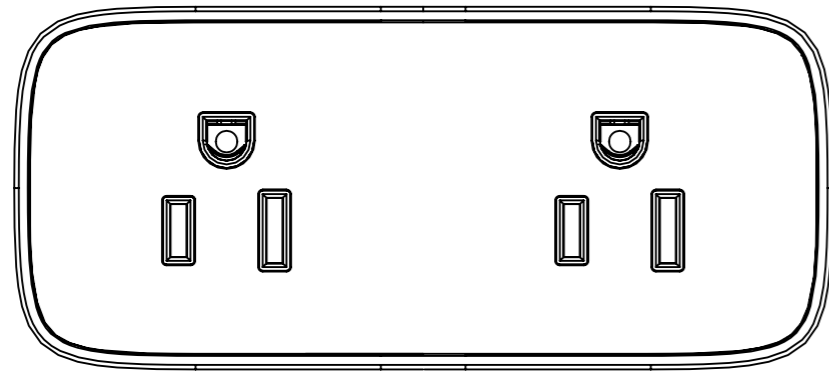
X ±0.5
X.X ±0.2
X.XX ±0.1
X.XXX ±0.05
ANG ±0.5°

DRAWN IN mm TO AS1100 DO NOT SCALE

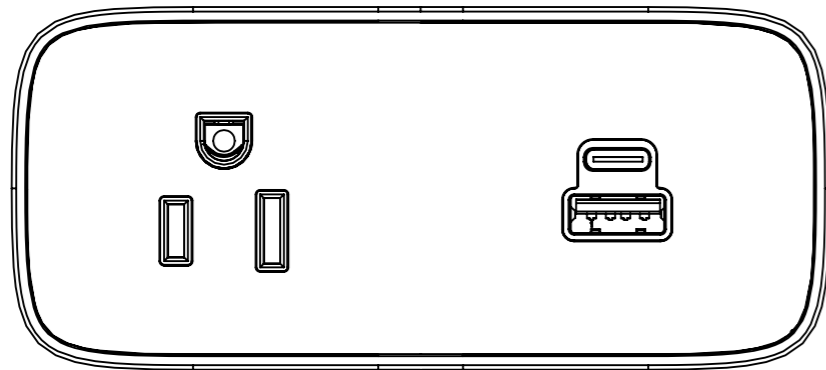


TITLE:
VIVA DUO US CONFIGURATIONS

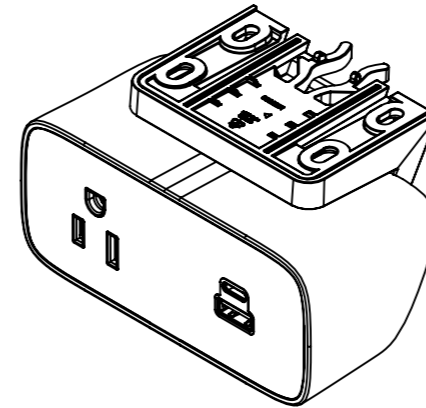
DRAWING: LU38206	REV: 4	A3
SCALE 1:2	SHEET 1 OF 5	



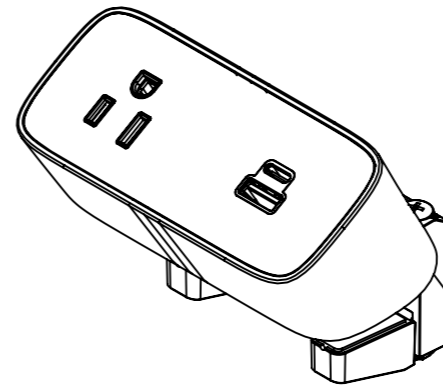
VD*HHXxxXX



VD*HUXxxXX

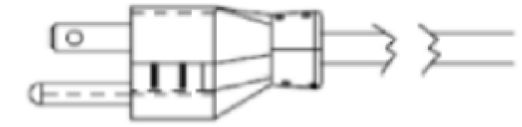


Z = UNDER DESK CLAMP



S = ABOVE DESK CLAMP

NOTE:



CABLE TYPE: 3 CORE x 2.08mm² (14AWG)
 DESCRIPTION: US PLUG LEAD
 COLOUR: WHITE OR BLACK
 (REFER TO PURCHASE ORDER)

LENGTH (mm):

x	LENGTH
A	1.5FT (457.2mm)
B	3.0FT (914.4mm)
C	4.0FT (1219.2mm)
D	5.0FT (1524mm)
E	6.0FT (1828.8mm)
F	8.0FT (2438.4mm)
G	10.0FT (3048mm)
H	12.0FT (3657.6mm)
I	15.0FT (4572mm)
J	18.0FT (5486.4mm)
K	21.0FT (6400.8mm)
L	24.0FT (7315.2mm)

COLOUR VARIATIONS	
PART NUMBER	DESCRIPTION
W	WHITE BODY & CLAMP
B	BLACK BODY & CLAMP
1	WHITE DECAL GLOSS
2	WHITE DECAL MATT
3	BLACK DECAL GLOSS
4	BLACK DECAL MATT
FABRIC FINISH REFER TO LU38547	
A	FABRIC COLOUR 1
B	FABRIC COLOUR 2
C	FABRIC COLOUR 3
D	FABRIC COLOUR 4


PART NUMBER: (REFER CONFIGURATION)xxXX

NOTE - * - CLAMP TYPE - (S = ABOVE DESK OR Z = UNDER DESK)

X - LEAD TYPE (US TYPE B = B)

xx - LENGTH - A / B / C / D / E / F / G / H / I / J / K / L

XX - COLOUR - W / B + 1 / 2 / 3 / 4 + (OPTIONAL) A / B / C / D

CUSTOMER SIGNATURE:	TOLERANCES UNLESS OTHERWISE STATED: X ±0.5 X.X ±0.2 X.XX ±0.1 X.XXX ±0.05 ANG ±0.5°	 CMS Electracom <small>COPYRIGHT © 2020</small>		
MATERIAL: PC FR				TITLE: VIVA DUO US CONFIGURATIONS
FINISH: FINE EDM / POLISHED / FABRIC		THIS DRAWING & ASSOCIATED CAD FILES ARE ISSUED IN THE STRICTEST CONFIDENCE AND ARE ONLY TO BE USED IN THE COMMERCIAL INTERESTS OF CMS ELECTRACOM PTY LTD	DRAWING: LU38206	REV: 4
COLOUR: REFER TABLE			SCALE 1:2	SHEET 2 OF 5

DRAWN IN mm TO AS1100 DO NOT SCALE

