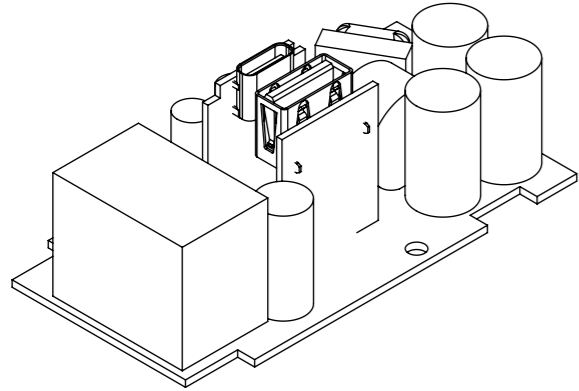
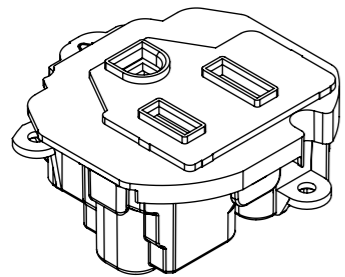


30W USB AC MODUAL = U

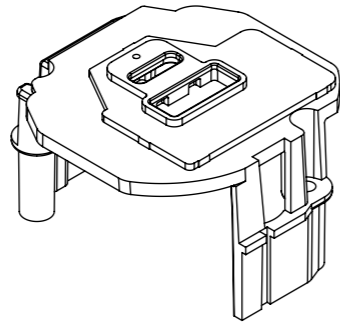


65W USB AC MODUAL = W

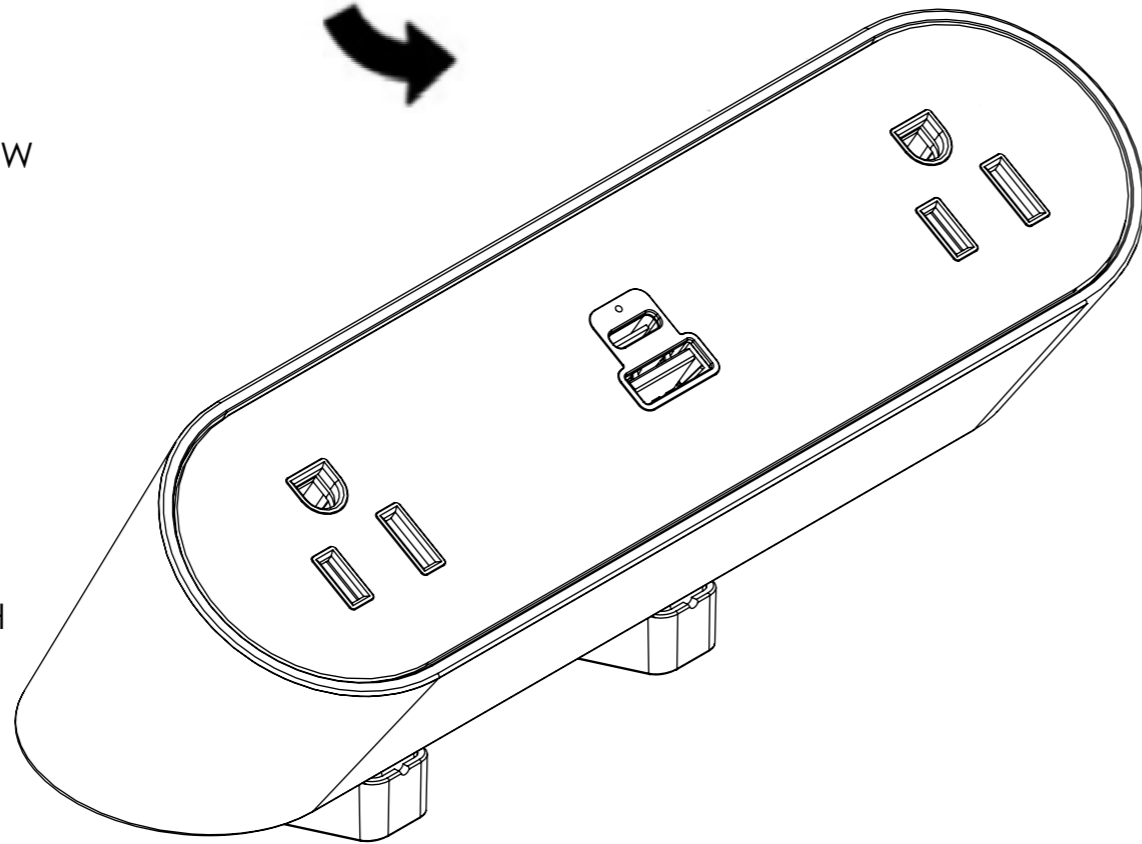


AU/NZ SOCKET OUTLET = H

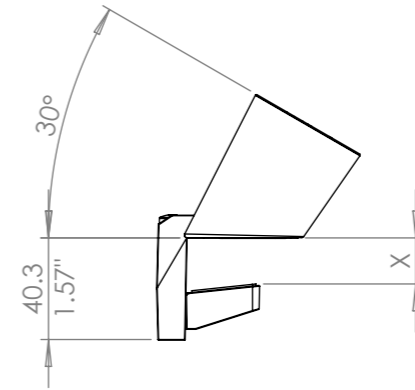
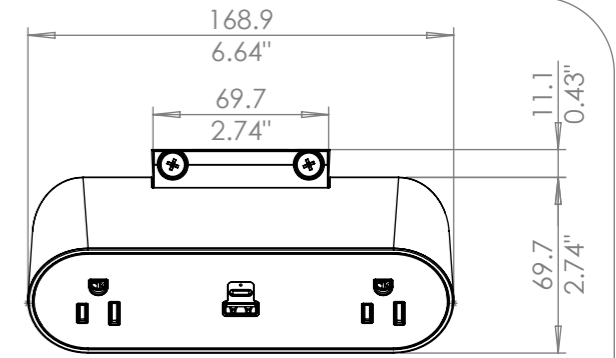
USE SC_CMS129_08
WHEN INSTALLING USB



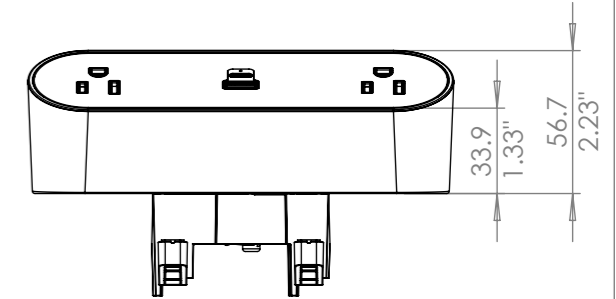
FACTORY ONLY INSERTABLE MODULES
REFER PAGE 2 FOR MODULE
CONFIGURATION



ABOVE DESK CLAMP

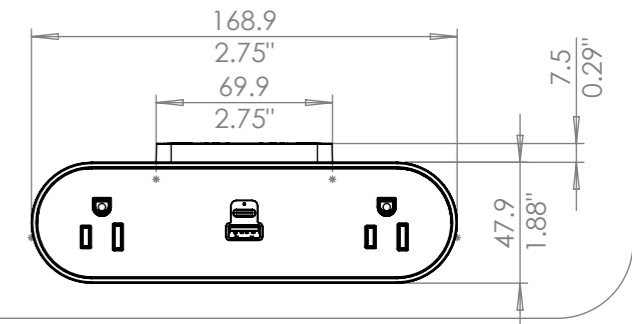
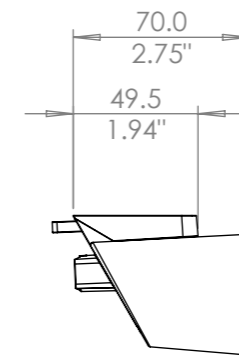
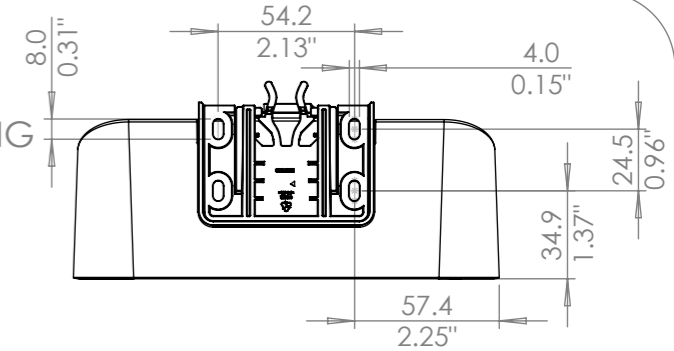


MIN TABLE THICKNESS: 20MM
MAX TABLE THICKNESS: 32MM



UNDER DESK CLAMP

COMPATIBLE MOUNTING
SCREWS: 4G, 6G



| REV | DESCRIPTION | DATE | DRWN | APPV |
|-----------|--|-----------|------|------|
| 2 | SCREW NOTE ADDED FOR USE OF TYPE 25 OR B | 28/7/2022 | JB | RG |
| 1 | RELEASED FOR PRODUCTION | 12/4/2022 | JB | RG |
| REVISIONS | | | | |

| |
|--|
| CUSTOMER SIGNATURE: |
| MATERIAL: PC FR |
| FINISH: FINE EDM / POLISHED / FABRIC |
| COLOUR: REFER TABLE |
| THIS DRAWING & ASSOCIATED CAD FILES ARE ISSUED IN THE STRICTEST CONFIDENCE AND ARE ONLY TO BE USED IN THE COMMERCIAL INTERESTS OF CMS ELECTRACOM PTY LTD |

TOLERANCES UNLESS OTHERWISE STATED:

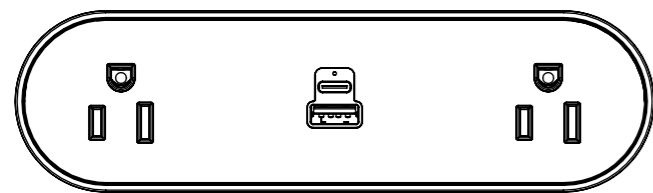
- X ±0.5
- X.X ±0.2
- X.XX ±0.1
- X.XXX ±0.05
- ANG ±0.5°

DRAWN IN mm TO AS1100 DO NOT SCALE

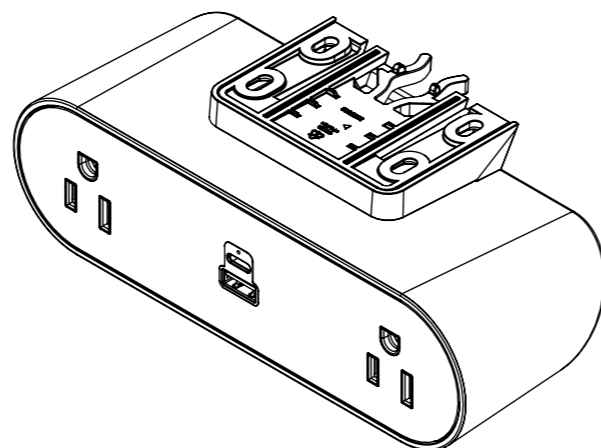


TITLE:
NOVA TRIO US CONFIGURATIONS

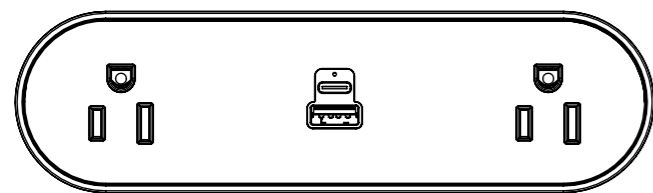
| | | |
|----------------------------|------------------|-----------|
| DRAWING: LU39818 | REV: 2 | A3 |
| SCALE 1:2 | SHEET 1 OF 4 | |



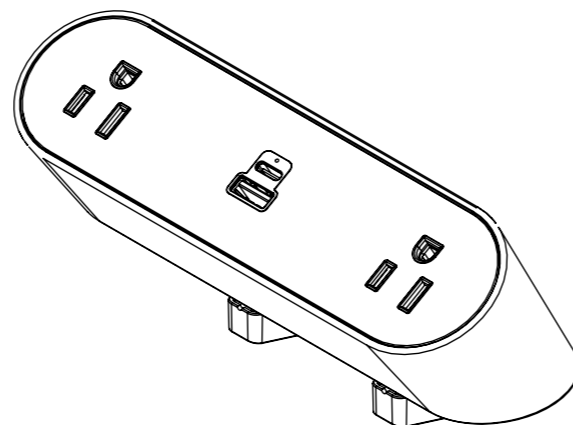
NT*HUHXxxXX



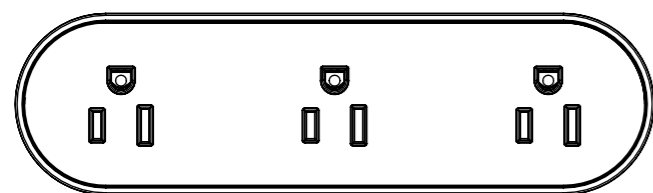
Z = UNDER DESK CLAMP



NT*HWHXxxXX



S = ABOVE DESK CLAMP



NT*HHHXxxX

NOTE:



CABLE TYPE: 3 CORE x 2.08mm² (14AWG)
 DESCRIPTION: US PLUG LEAD
 COLOUR: WHITE OR BLACK
 (REFER TO PURCHASE ORDER)

| LENGTH (mm): | x | LENGTH |
|--------------|---|-------------------|
| | A | 1.5FT (457.2mm) |
| | B | 3.0FT (914.4mm) |
| | C | 4.0FT (1219.2mm) |
| | D | 5.0FT (1524mm) |
| | E | 6.0FT (1828.8mm) |
| | F | 8.0FT (2438.4mm) |
| | G | 10.0FT (3048mm) |
| | H | 12.0FT (3657.6mm) |
| | I | 15.0FT (4572mm) |
| | J | 18.0FT (5486.4mm) |
| | K | 21.0FT (6400.8mm) |
| | L | 24.0FT (7315.2mm) |

| COLOUR VARIATIONS | |
|--------------------------------|--------------------|
| PART NUMBER | DESCRIPTION |
| W | WHITE BODY & CLAMP |
| B | BLACK BODY & CLAMP |
| 1 | WHITE DECAL GLOSS |
| 2 | WHITE DECAL MATT |
| 3 | BLACK DECAL GLOSS |
| 4 | BLACK DECAL MATT |
| FABRIC FINISH REFER TO LU38547 | |
| A | FABRIC COLOUR 1 |
| B | FABRIC COLOUR 2 |
| C | FABRIC COLOUR 3 |
| D | FABRIC COLOUR 4 |


PART NUMBER: (REFER CONFIGURATION)xxXX

NOTE - * - CLAMP TYPE - (S = ABOVE DESK OR Z = UNDER DESK)

X - LEAD TYPE (US TYPE B = B)

xx - LENGTH - A / B / C / D / E / F / G / H / I / J / K / L

XX - COLOUR - W / B + 1 / 2 / 3 / 4 + (OPTIONAL) A / B / C / D

| | | | |
|--|---|--|---------------|
| CUSTOMER SIGNATURE: | TOLERANCES UNLESS OTHERWISE STATED: |  CMS Electracom COPYRIGHT © 2020 | |
| MATERIAL: PC FR | X ±0.5 X.X ±0.2 X.XX ±0.1 X.XXX ±0.05 ANG ±0.5° | | |
| FINISH: FINE EDM / POLISHED / FABRIC | | TITLE: NOVA TRIO US CONFIGURATIONS | |
| COLOUR: REFER TABLE | | DRAWING: LU39818 | REV: 2 |
| THIS DRAWING & ASSOCIATED CAD FILES ARE ISSUED IN THE STRICTEST CONFIDENCE AND ARE ONLY TO BE USED IN THE COMMERCIAL INTERESTS OF CMS ELECTRACOM PTY LTD | | SCALE 1:2 | SHEET 2 OF 4 |
| DRAWN IN mm TO AS1100 DO NOT SCALE | | A3 | |