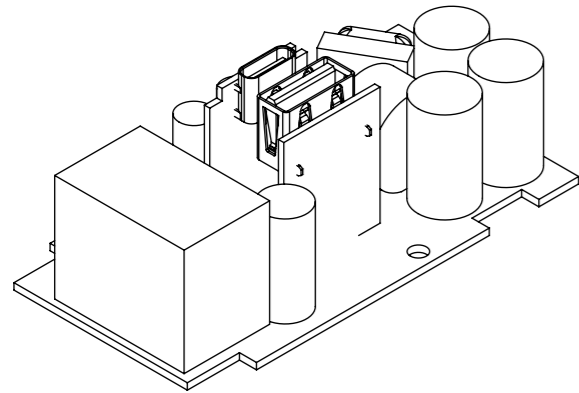
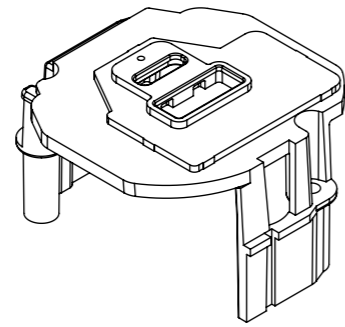
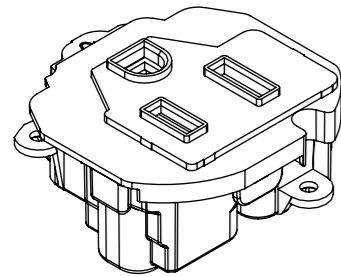


30W USB AC MODUAL = U

USE SC_CMS129_08
WHEN INSTALLING USB

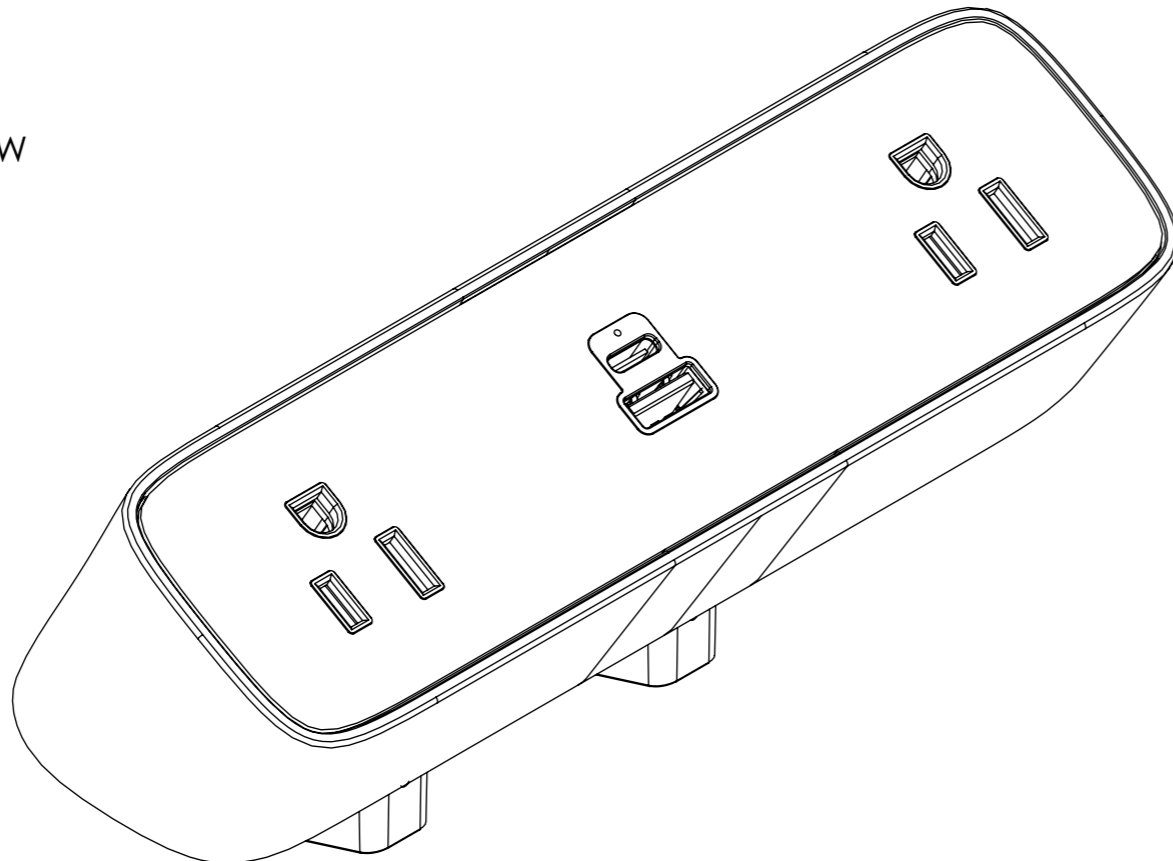


65W USB AC MODUAL = W

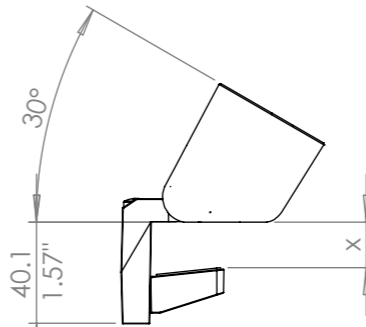
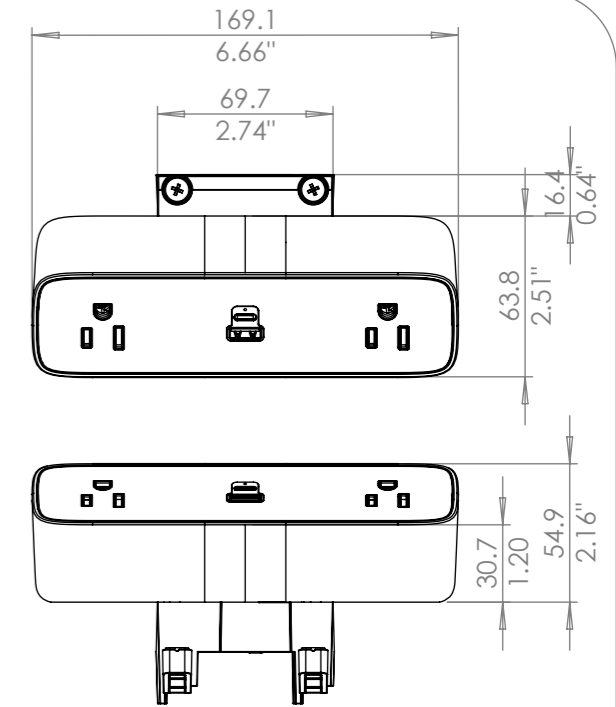


AU/NZ SOCKET OUTLET = H

**FACTORY ONLY INSERTABLE MODULES
REFER PAGE 2 FOR MODULE
CONFIGURATION**



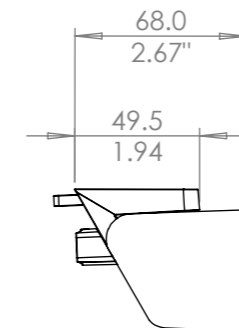
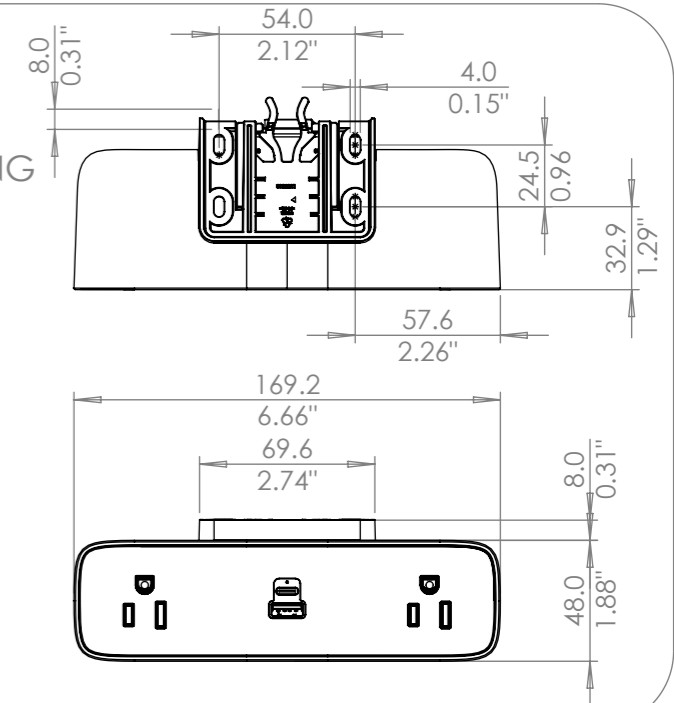
ABOVE DESK CLAMP



MIN TABLE THICKNESS: 20MM
MAX TABLE THICKNESS: 32MM

UNDER DESK CLAMP

COMPATIBLE MOUNTING
SCREWS: 4G, 6G



REV	DESCRIPTION	DATE	DRWN	APPV
2	SCREW NOTE ADDED FOR USE OF TYPE 25 OR TYPE B	28/7/2022	JB	RG
1	RELEASED FOR PRODUCTION	12/4/2022	JB	RG
REVISIONS				

CUSTOMER SIGNATURE:	
MATERIAL:	PC FR
FINISH:	FINE EDM / POLISHED / FABRIC
COLOUR:	REFER TABLE
THIS DRAWING & ASSOCIATED CAD FILES ARE ISSUED IN THE STRICTEST CONFIDENCE AND ARE ONLY TO BE USED IN THE COMMERCIAL INTERESTS OF CMS ELECTRACOM PTY LTD	

TOLERANCES UNLESS OTHERWISE STATED:

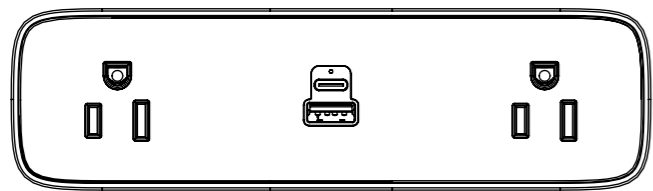
- X ±0.5
- X.X ±0.2
- X.XX ±0.1
- X.XXX ±0.05
- ANG ±0.5°

DRAWN IN mm TO AS1100 DO NOT SCALE

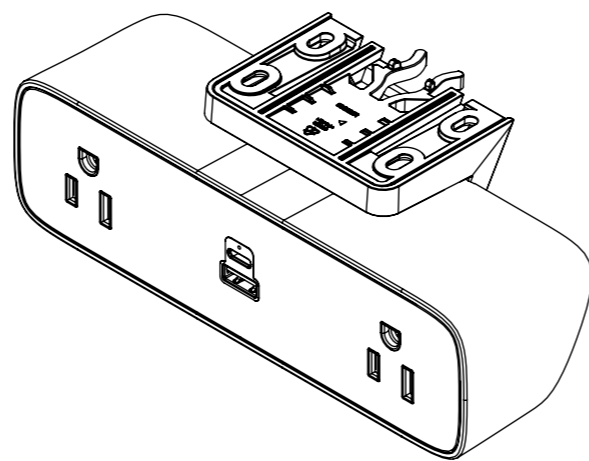


TITLE:
VIVA TRIO US CONFIGURATIONS

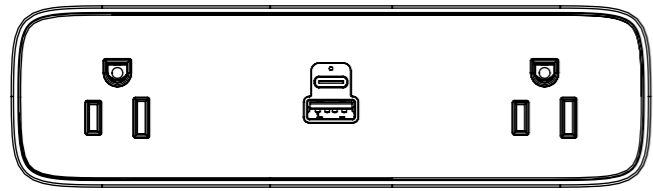
DRAWING: LU39829	REV: 2	A3
SCALE 1:2	SHEET 1 OF 4	



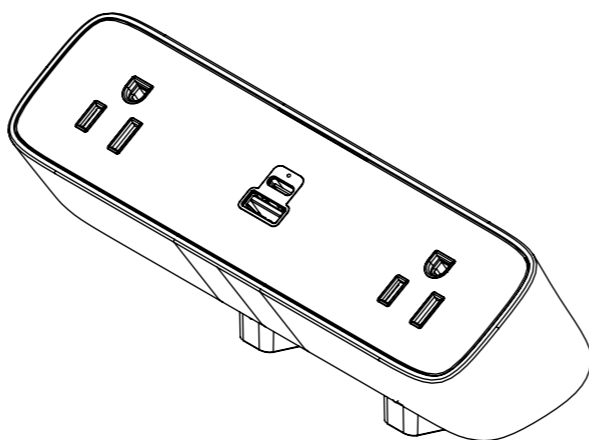
VT*HUHXxxXX



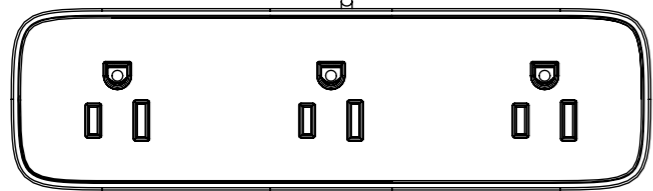
Z = UNDER DESK CLAMP



VT*HWHXxxXX

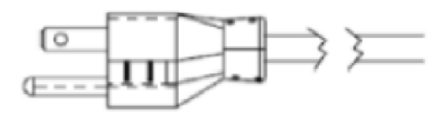


S = ABOVE DESK CLAMP



VT*HHHXxxX

NOTE:



CABLE TYPE: 3 CORE x 2.08mm² (14AWG)
 DESCRIPTION: US PLUG LEAD
 COLOUR: WHITE OR BLACK
 (REFER TO PURCHASE ORDER)

LENGTH (mm):	x	LENGTH
	A	1.5FT (457.2mm)
	B	3.0FT (914.4mm)
	C	4.0FT (1219.2mm)
	D	5.0FT (1524mm)
	E	6.0FT (1828.8mm)
	F	8.0FT (2438.4mm)
	G	10.0FT (3048mm)
	H	12.0FT (3657.6mm)
	I	15.0FT (4572mm)
	J	18.0FT (5486.4mm)
	K	21.0FT (6400.8mm)
	L	24.0FT (7315.2mm)

COLOUR VARIATIONS	
PART NUMBER	DESCRIPTION
W	WHITE BODY & CLAMP
B	BLACK BODY & CLAMP
1	WHITE DECAL GLOSS
2	WHITE DECAL MATT
3	BLACK DECAL GLOSS
4	BLACK DECAL MATT
FABRIC FINISH REFER TO LU38547	
A	FABRIC COLOUR 1
B	FABRIC COLOUR 2
C	FABRIC COLOUR 3
D	FABRIC COLOUR 4

PART NUMBER: (REFER CONFIGURATION)xxXX
 NOTE - * - CLAMP TYPE - (S = ABOVE DESK OR Z = UNDER DESK)
 X - LEAD TYPE (US TYPE B = B)
 xx - LENGTH - A / B / C / D / E / F / G / H / I / J / K / L
 XX - COLOUR - W / B + 1 / 2 / 3 / 4 + (OPTIONAL) A / B / C / D

CUSTOMER SIGNATURE:	TOLERANCES UNLESS OTHERWISE STATED:	CMS Electracom COPYRIGHT © 2020 TITLE: VIVA TRIO US CONFIGURATIONS
MATERIAL: PC FR	X ±0.5	
FINISH: FINE EDM / POLISHED / FABRIC	X.X ±0.2	
COLOUR: REFER TABLE	X.XX ±0.1	
THIS DRAWING & ASSOCIATED CAD FILES ARE ISSUED IN THE STRICTEST CONFIDENCE AND ARE ONLY TO BE USED IN THE COMMERCIAL INTERESTS OF CMS ELECTRACOM PTY LTD	DRAWN IN mm TO AS1100 DO NOT SCALE	DRAWING: LU39829
		REV: 2
SCALE 1:2		A3
SHEET 2 OF 4		