

WEIGHT: 0.94KG

CUSTOMER SIGNATURE:	TOLERANCES UNLESS OTHERWISE STATED:
MATERIAL: PC FR	X ±0.5 X.X ±0.2 X.XX ±0.1 X.XXX ±0.05 ANG ±0.5°
FINISH: FINE EDM / POWDERCOAT	
COLOUR: WHITE / BLACK	
THIS DRAWING & ASSOCIATED CAD FILES ARE ISSUED IN THE STRICTEST CONFIDENCE AND ARE ONLY TO BE USED IN THE COMMERCIAL INTERESTS OF CMS ELECTRACOM PTY LTD	

TOLERANCES UNLESS OTHERWISE STATED:

X ±0.5
X.X ±0.2
X.XX ±0.1
X.XXX ±0.05
ANG ±0.5°



CMS Electracom

COPYRIGHT © 2020

TITLE:

FR210DS

DRAWING:

LU39763

REV:

2

A3

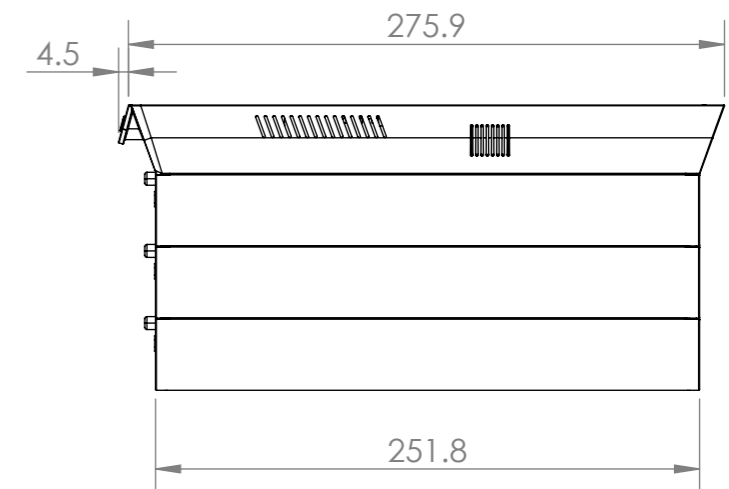
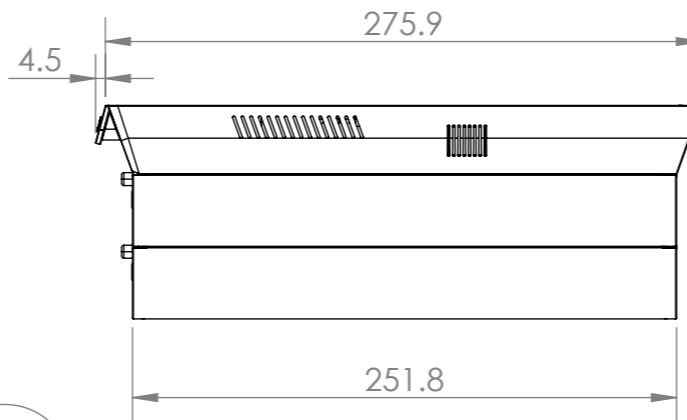
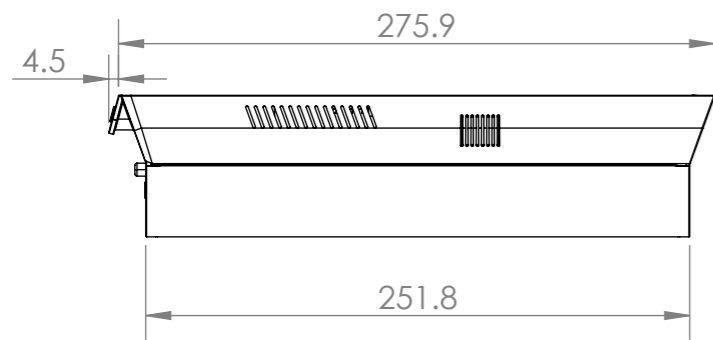
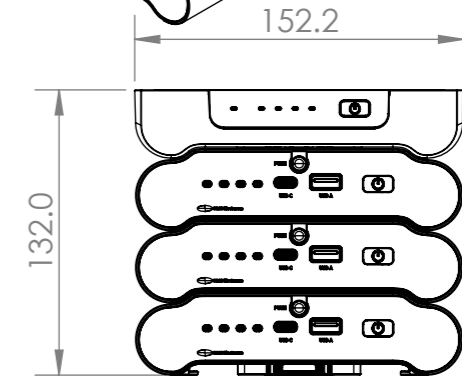
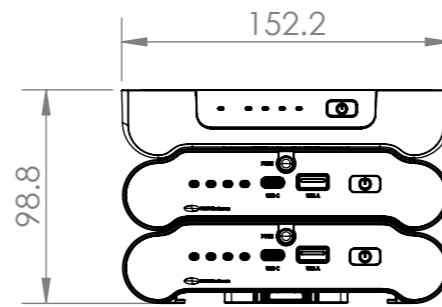
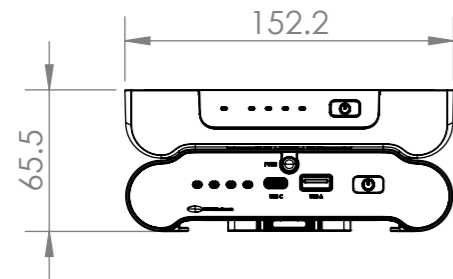
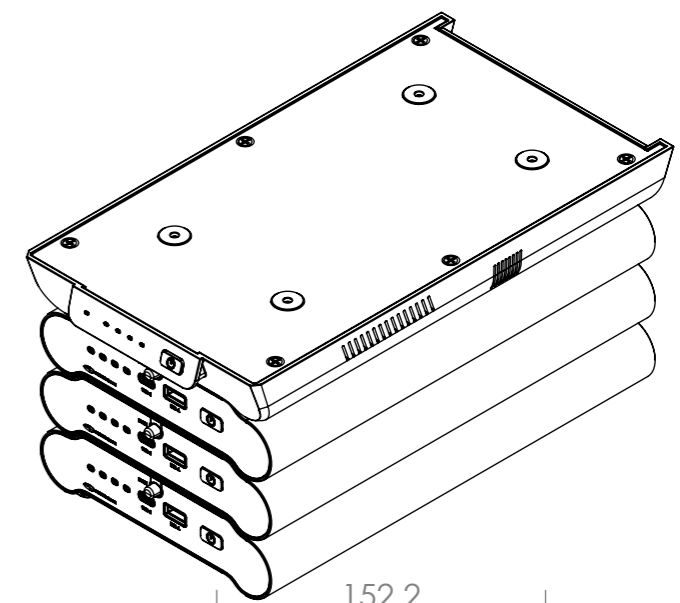
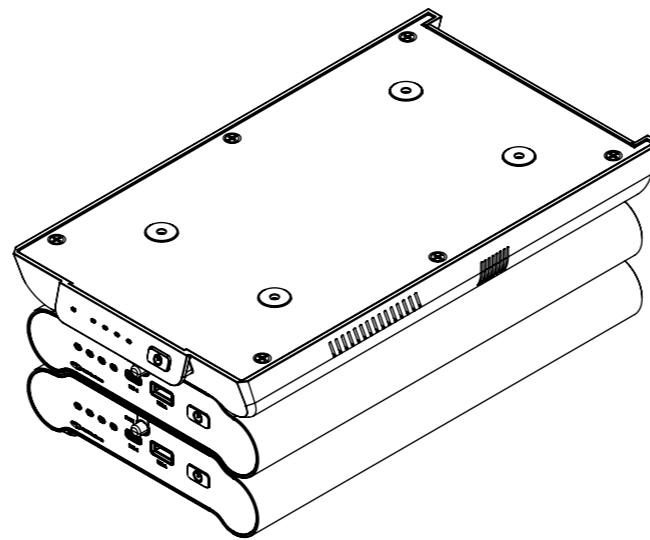
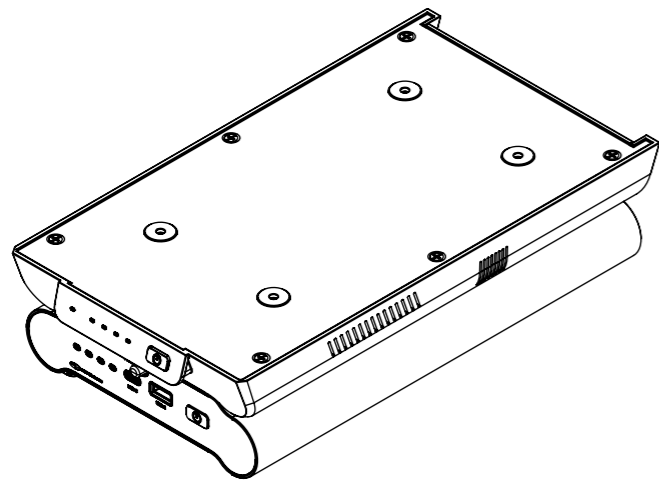
REV	DESCRIPTION	DATE	DRWN	APPV
2	BOM UPDATED	30/5/2022	JB	RG
1	RELEASED FOR PRODUCTION	11/2/2022	JB	RG
REVISIONS				

DRAWN IN mm TO AS1100 DO NOT SCALE

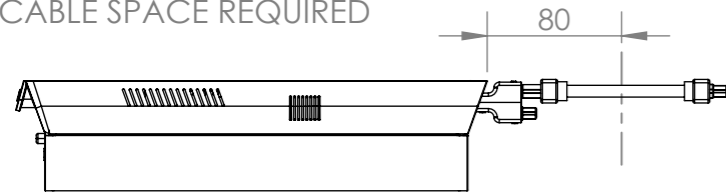


SCALE 1:2

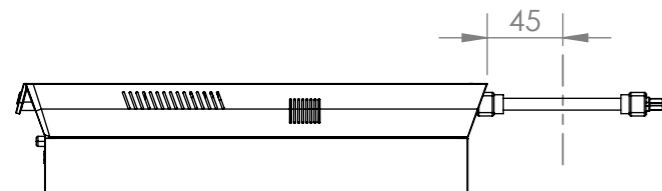
SHEET 1 OF 2



CABLE SPACE REQUIRED



FR210DS WITH XT60 Y SPLITTER AND LEAD, 80MM SPACE REQUIRED AT REAR TO ALLOW CABLE FITMENT & BEND RADIUS



FR210DS WITH XT60 LEAD, 45MM SPACE REQUIRED AT REAR TO ALLOW CABLE FITMENT & BEND RADIUS

CUSTOMER SIGNATURE:	
MATERIAL:	PC FR
FINISH:	FINE EDM / POWDERCOAT
COLOUR:	WHITE / BLACK

TOLERANCES UNLESS OTHERWISE STATED:

X ±0.5
 X.X ±0.2
 X.XX ±0.1
 X.XXX ±0.05
 ANG ±0.5°



TITLE:
 FR210DS WITH FR210PBP

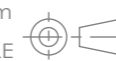
DRAWING:
 LU41902

REV:
 2

A3

THIS DRAWING & ASSOCIATED CAD FILES ARE ISSUED IN THE STRICTEST CONFIDENCE AND ARE ONLY TO BE USED IN THE COMMERCIAL INTERESTS OF CMS ELECTRACOM PTY LTD

DRAWN IN mm TO AS1100 DO NOT SCALE



SCALE 1:5

SHEET 1 OF 1

REV	DESCRIPTION	DATE	DRWN	APPV
2	XT60 CABLE SPACE/BEND RADIUS ADDED	11/4/2023	JB	RG
1	RELEASED FOR PRODUCTION	7/2/2023	JB	RG
REVISIONS				