
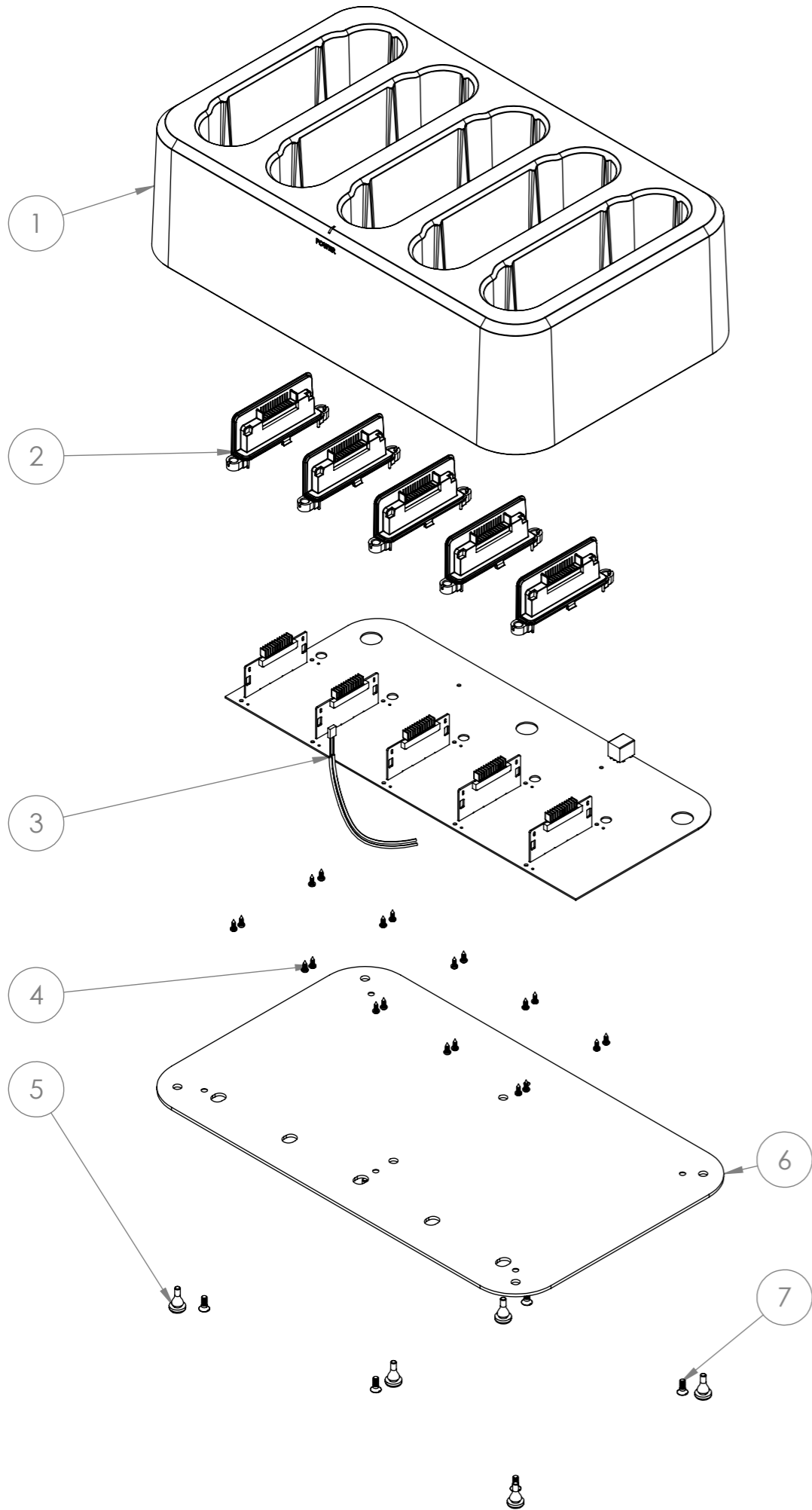


**PART NUMBER: FR210CSxxXX**

NOTE - xx - LEAD TYPE - REFER TO PURCHASE ORDER  
 XX - COLOUR - WHITE OR BLACK

<b>CUSTOMER SIGNATURE:</b>		<b>TOLERANCES UNLESS OTHERWISE STATED:</b>  X ±0.5 X.X ±0.2 X.XX ±0.1 X.XXX ±0.05 ANG ±0.5°	 <b>CMS Electracom</b> <small>COPYRIGHT © 2020</small>	
<b>MATERIAL:</b>			<b>TITLE:</b>	
PC FR			FR210CS	
<b>FINISH:</b>			<b>DRAWING:</b>	<b>REV:</b>
FINE EDM / POWDERCOAT		LU39871	1	
<b>COLOUR:</b>		SCALE 1:5		
WHITE / BLACK		SHEET 1 OF 2		
THIS DRAWING & ASSOCIATED CAD FILES ARE ISSUED IN THE STRICTEST CONFIDENCE AND ARE ONLY TO BE USED IN THE COMMERCIAL INTERESTS OF CMS ELECTRACOM PTY LTD		DRAWN IN mm TO AS1100 DO NOT SCALE		

1	RELEASED FOR PRODUCTION	21/2/2022	JB	RG
REV	DESCRIPTION	DATE	DRWN	APPV
	REVISIONS			



ITEM NO.	PART NUMBER	DESCRIPTION	QTY.
1	LU39199	PD-15 Charging Station Main Housing	1
2	LU3938	PD-15 Charging Station 12PIN PCB Fixing Plate	5
3	Charging Station PCB APET CAD 15-11-21		1
4	-	2G x 1-4 Pan Head Self Tapping Screw	22
5	Rubber/Silicon Foot (CLEAR)	Rubber/Silicon Foot, 10mm DIAMETER X 4MM HEAD	6
6	LU39208	PD-15 Charging Station Steel Base Plate	1
7	-	6G x 3/8" CSK self Tapping Screw	6

<b>CUSTOMER SIGNATURE:</b>
<b>MATERIAL:</b> PC FR
<b>FINISH:</b> FINE EDM / POWDERCOAT
<b>COLOUR:</b> WHITE / BLACK
THIS DRAWING & ASSOCIATED CAD FILES ARE ISSUED IN THE STRICTEST CONFIDENCE AND ARE ONLY TO BE USED IN THE COMMERCIAL INTERESTS OF CMS ELECTRACOM PTY LTD

TOLERANCES UNLESS OTHERWISE STATED:

X ±0.5  
 X.X ±0.2  
 X.XX ±0.1  
 X.XXX ±0.05  
 ANG ±0.5°

DRAWN IN mm TO AS1100 DO NOT SCALE



**CMS Electracom** COPYRIGHT © 2020

**TITLE:**  
FR210CS

**DRAWING:** LU39871 **REV:** 1 **A3**

SCALE 1:5

SHEET 2 OF 2