

# NOVA & VIVA POWER UNIT

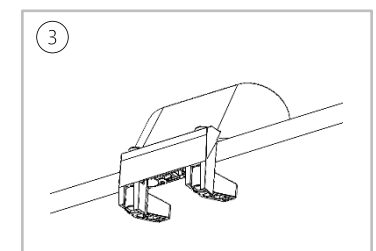
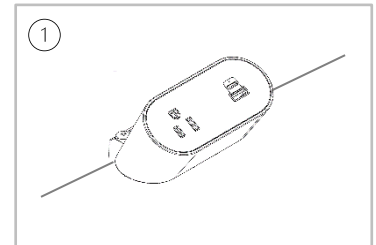
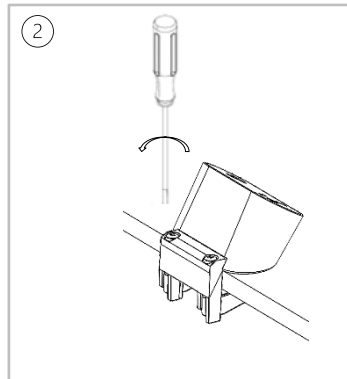
## Above Desk Installation Instructions

### STEP 1 – PLACEMENT

Determine desired location and place rail along the edge of the desk (1).

### STEP 2 – FIXING RAIL IN POSITION

Once positioned tighten the clamp feet screws (2). As you tighten the screws the clamp feet will swing around under the desk as depicted (3). **DO NOT OVER TIGHTEN - TIGHTEN BY HAND**



## Under Desk Installation Instructions

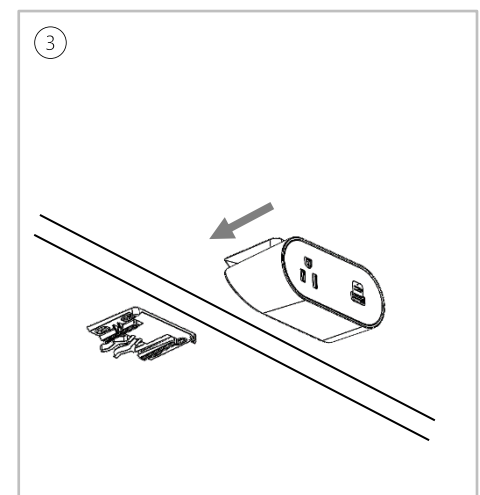
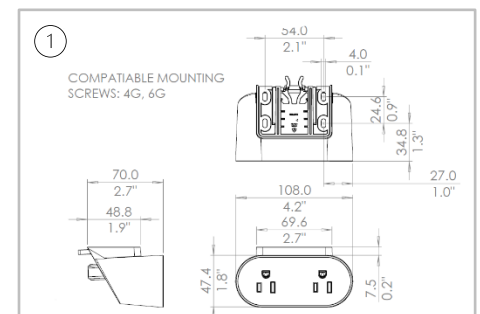
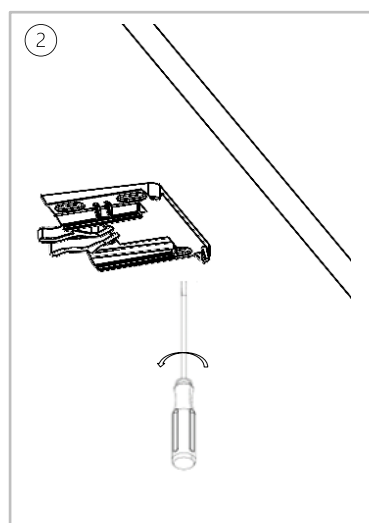
### STEP 1 – FIXING UNDER DESK BRACKET IN POSITION

Position the mounting bracket taking into account the final position of the rail when clipped in (1). Screw the mounting bracket into place using any of the compatible screw sizes (2). Note – screw length should be table thickness -5mm

### STEP 2 – SLIDE THE RAIL ONTO THE BRACKET UNTIL IT CLIPS INTO POSITION

Align the rail and slid it onto the mounting bracket, you will hear a clipping sound once clipped into place (3).

Note: To release squeeze release clip tabs in and pull the rail forward.



**A Furniture Power Distribution Unit is not for permanent installation as part of the building structure and not for mounting in a permanently-installed furnishing such as a fixed countertop.**