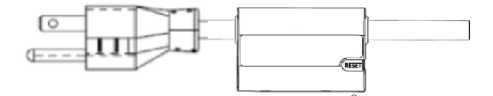
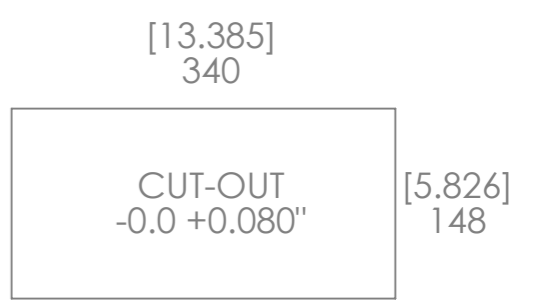
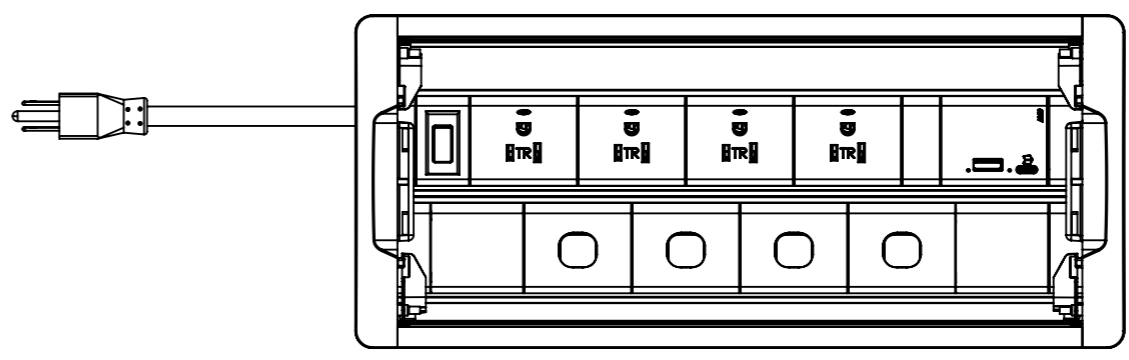
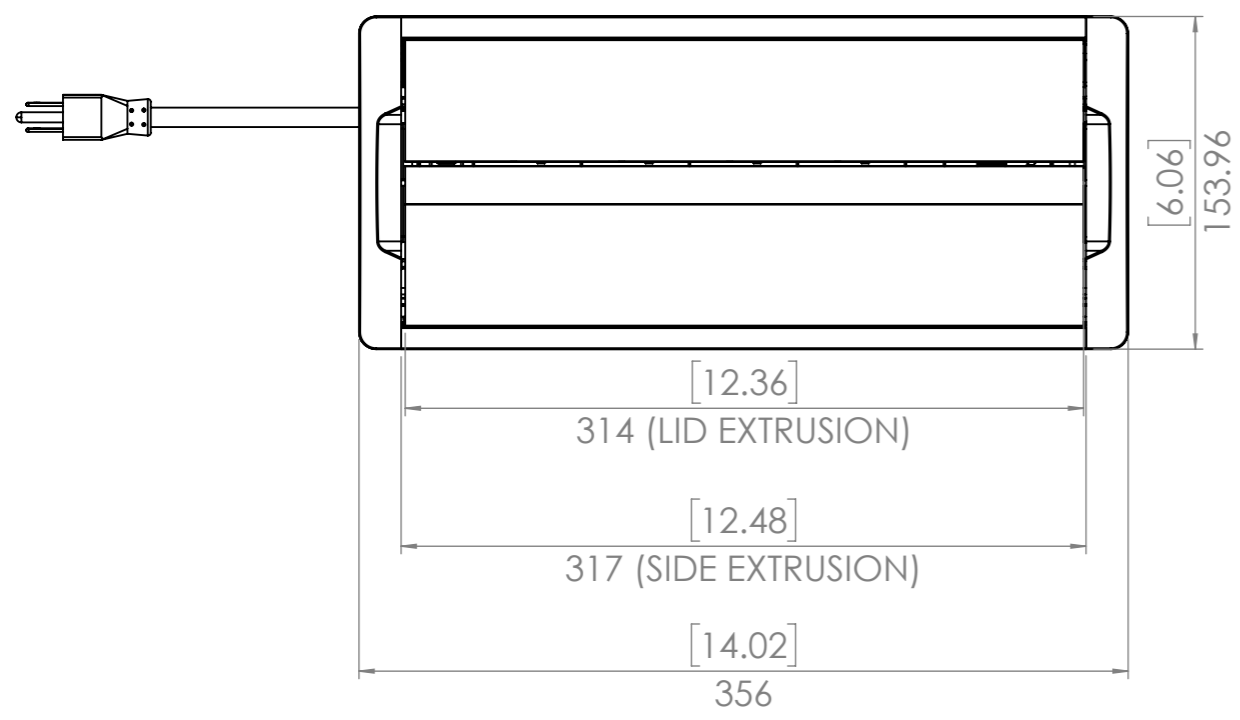
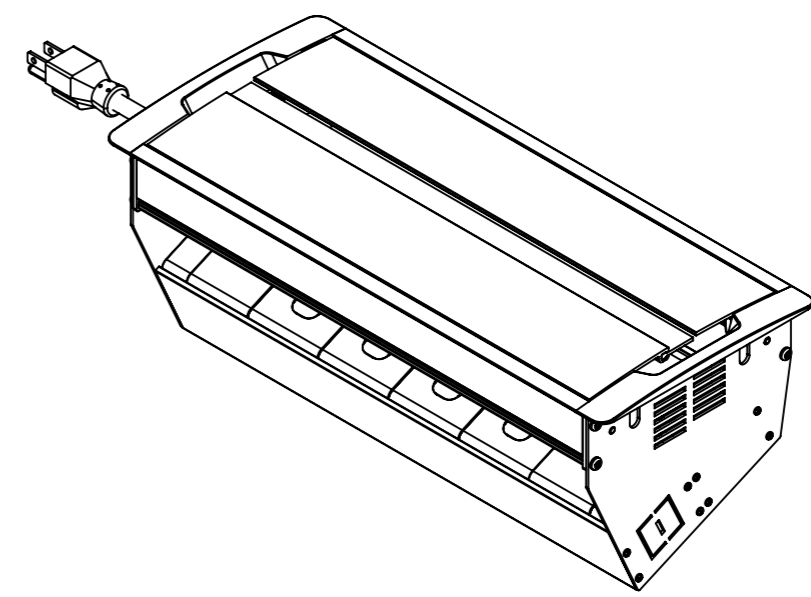
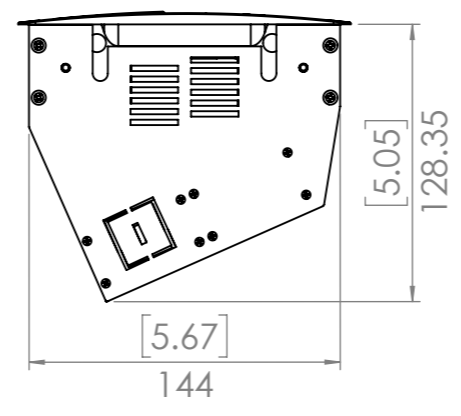
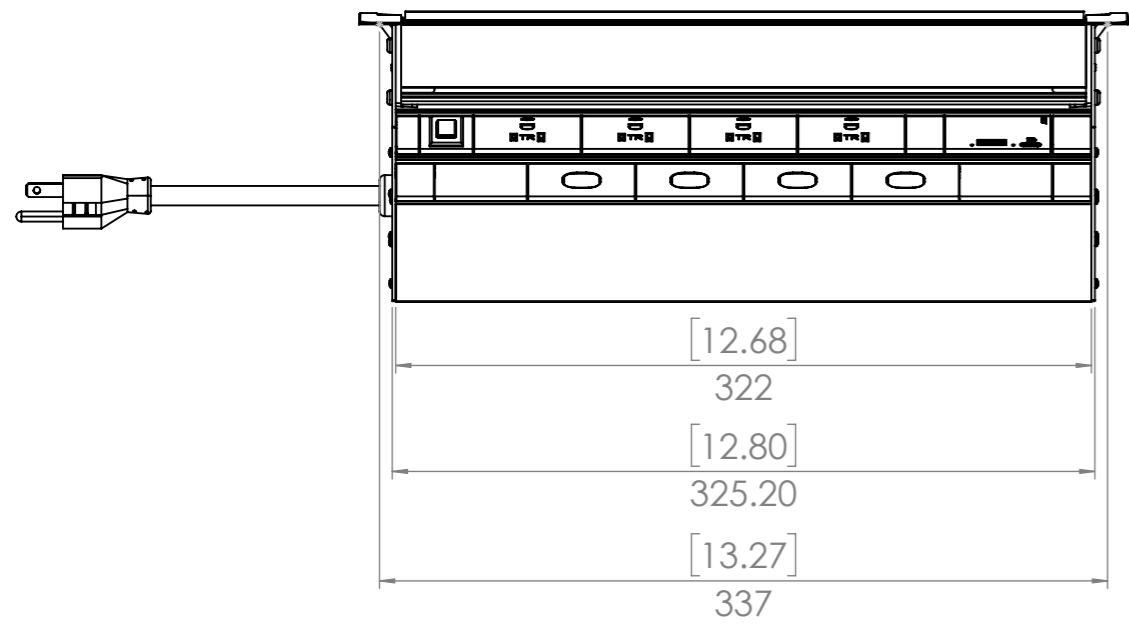


NOTE:




CABLE TYPE: 3 CORE x 2.08mm² (14AWG)
 DESCRIPTION: US PLUG LEAD WITH THERMAL OVERLOAD
 COLOUR: WHITE OR BLACK (REFER TO PURCHASE ORDER)
 LENGTH (mm):

x	LENGTH
A	1.5FT (457.2mm)
B	3.0FT (914.4mm)
C	4.0FT (1219.2mm)
D	5.0FT (1524mm)
E	6.0FT (1828.8mm)
F	8.0FT (2438.4mm)
G	10.0FT (3048mm)
H	12.0FT (3657.6mm)
I	15.0FT (4572mm)
J	18.0FT (5486.4mm)
K	21.0FT (6400.8mm)
L	24.0FT (7315.2mm)



PART NUMBER: 1ACD4SU5C4xxXX
 NOTE - xx - LENGTH - A / B / C / D / E / F / G / H / I / J / K / L
 XX - COLOUR - WT / BK

CUSTOMER SIGNATURE:		TOLERANCES UNLESS OTHERWISE STATED: X ±0.5 X.X ±0.2 X.XX ±0.1 X.XXX ±0.05 ANG ±0.5°
MATERIAL:	POLYCARBONATE / ALUMINIUM	
FINISH:	FINE EDM / ANODISED	
COLOUR:	VARIOUS	
THIS DRAWING & ASSOCIATED CAD FILES ARE ISSUED IN THE STRICTEST CONFIDENCE AND ARE ONLY TO BE USED IN THE COMMERCIAL INTERESTS OF CMS ELECTRACOM PTY LTD		DRAWN IN mm TO AS1100 DO NOT SCALE

 **CMS Electracom** COPYRIGHT © 2015

TITLE: ACCEDE DUAL LID WITH 4 US SOCKETS + SW18UAC65FL + 4 DATA WITH SWITCH

DRAWING: LU48380 **REV:** 1 **A3**

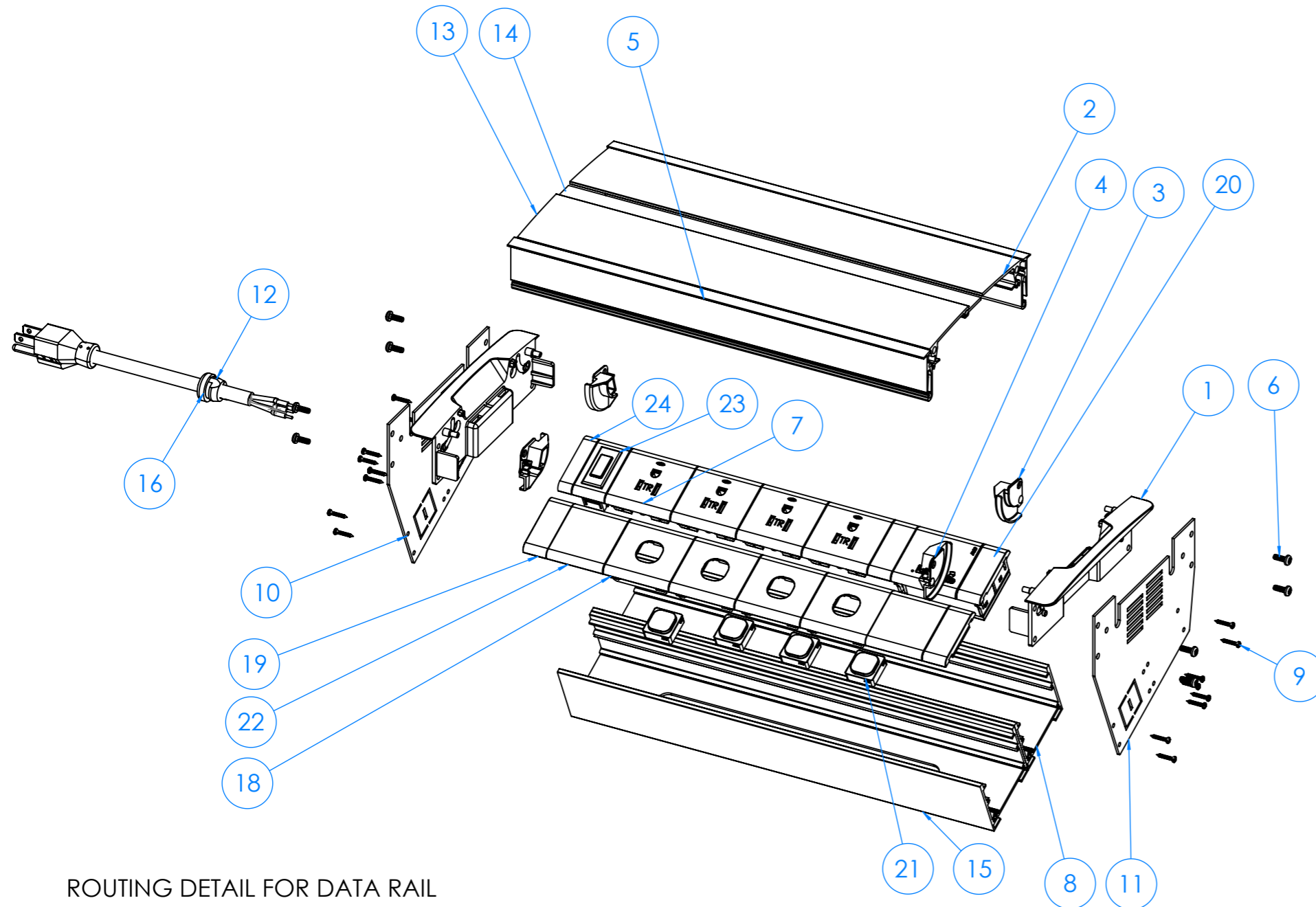
SCALE 1:3 SHEET 1 OF 3

1	RELEASED FOR PRODUCTION	13/5/2025	JB	AP
REV	DESCRIPTION	DATE	DRWN	APPV
REVISIONS				

CMS Electracom
 cmselectra.com
Max rated output: 15A, 120V~, 50Hz
 USB input (if fitted): 0.8 - 2.0A
 Model: SW18UAC65FL
 Port 1 Output Max 18W - 12V/1.5A
 Port 2 Output Max 65W-20V/3.25A
 Wireless charger (if fitted) 15W
CAUTION: to reduce risk of electric shock use only indoors (for use only in portable furnishing)

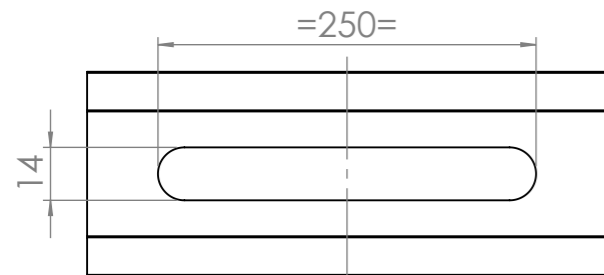


MODEL: XXXXXXXXXX
BUILT: X XXXX ○ ○



ITEM NO.	PART NUMBER	DESCRIPTION	QTY.
1	LU7913-2	END CAP	2
2	LU21534	ACCEDE DUAL LID EXTRUSION - WITH NO BRUSH STRIP 314.6mm	1
3	LU7914 - RH	RIGHT HAND CABLE RELIEF	2
4	LU7914 - LH	LEFT HAND CABLE RELIEF	2
5	LU7916	LID SIDE EXTRUSION 317mm	2
6	7021603	6G X 3/8" PAN HEAD SELF TAPPING SCREW	8
7	LU33408	DUBUSRW US SOCKET WITH SHUTTER	4
8	LU9340	322mm ZUES RAIL EXTRUSION	1
9	7021204	2G x 1/2" Pan Head Self Tapping Screw	16
10	LU27626	ACCEDE DUAL US LH SIDE PLATE	1
11	LU27184	ACCEDE DUAL US SIDE PLATE	1
12	HEYCO 7N-2	HEYCO 7N-2 GROMMET	1
13	LU9503	ACCEDE DUAL LID EXTRUSION - WITH BRUSH STRIP -314.6mm	1
14	9010930	BRUSH STRIP - 314.6mm	1
15	LU9340	322mm ZUES RAIL EXTRUSION WITH DATA ROUTING	1
16	LEAD	REFER TO NOTES	1
18	SW18C1	50mm SINGLE DATA TILE	4
19	SW18A CDG	18mm BLANK TILE	3
20	LU37592	SW18UAC65FL 65W USB CHARGER HARDWIRED	1
21	BPM	BPM	4
22	43MM TRIMMED SW18C1WT	43mm SW18C+ TRIMMED	2
23	LU32261	15A THERMAL OVERLOAD SWITCH	1
24	SW18C+ TRIMMED TO 10.5MM	10.5mm SW18C+ TRIMMED	1

ROUTING DETAIL FOR DATA RAIL



ZEUS DATA EXIT CUTOUT TO SUIT 4 X DATA

CUSTOMER SIGNATURE:		TOLERANCES UNLESS OTHERWISE STATED: X ±0.5 X.X ±0.2 X.XX ±0.1 X.XXX ±0.05 ANG ±0.5°
MATERIAL:	POLYCARBONATE / ALUMINIUM	
FINISH:	FINE EDM / ANODISED	
COLOUR:	VARIOUS	
THIS DRAWING & ASSOCIATED CAD FILES ARE ISSUED IN THE STRICTEST CONFIDENCE AND ARE ONLY TO BE USED IN THE COMMERCIAL INTERESTS OF CMS ELECTRACOM PTY LTD		DRAWN IN mm TO AS1100 DO NOT SCALE



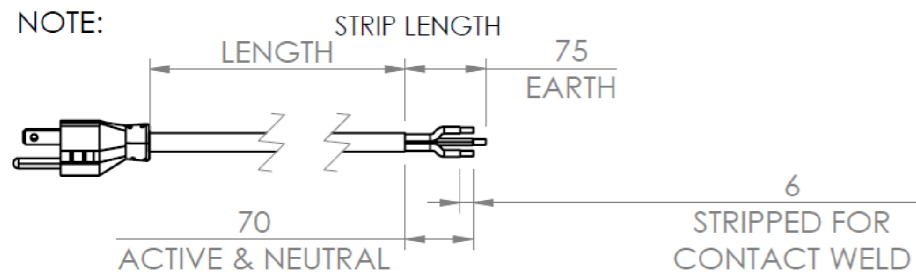
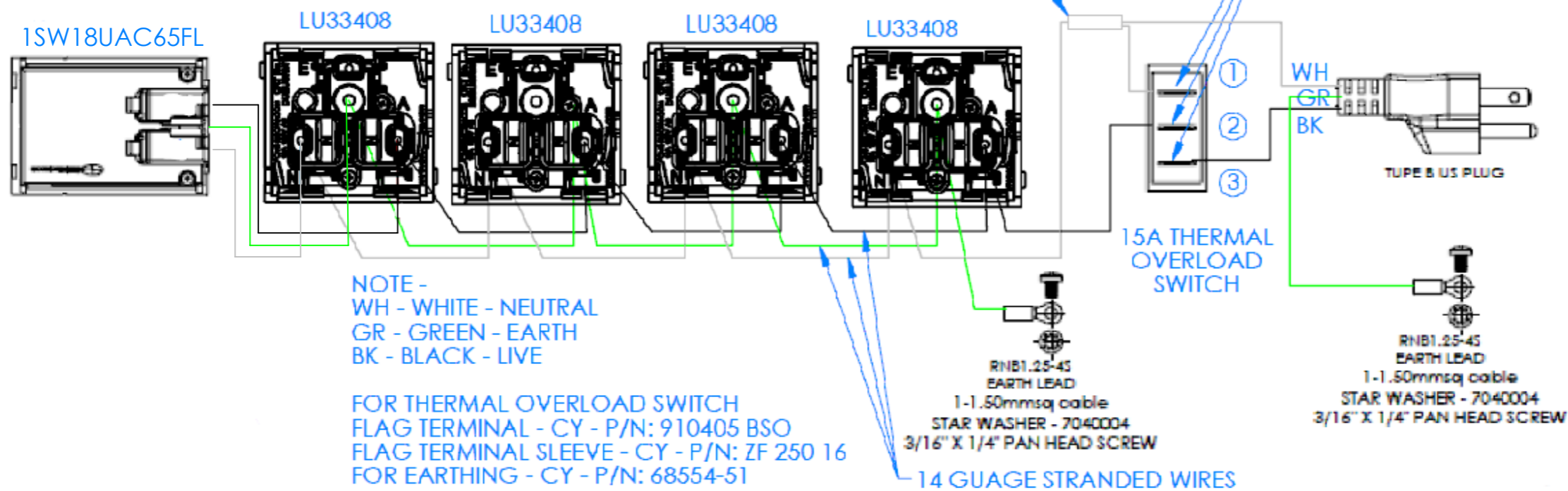
TITLE: ACCEDE DUAL LID WITH 4 US SOCKETS + SW18UAC65FL + 4 DATA WITH SWITCH

DRAWING: LU48380	REV: 1	A3
SCALE 1:4	SHEET 2 OF 3	


FLAG TERMINAL SLEEVE
 PART NUMBER: ZF-250-16
 SUPPLIER: CY
 UL CERTIFICATION: E223023

WIRING DIAGRAM -

CONNECTION METHOD



CABLE TYPE: 3 CORE x 2.08mm²
 DESCRIPTION: US PLUG TO GPO CONTACTS
 LENGTH: REFER TO PURCHASE ORDER
 COLOUR: WHITE OR BLACK (REFER TO PURCHASE ORDER)

CUSTOMER SIGNATURE:	TOLERANCES UNLESS OTHERWISE STATED:	 CMS Electracom COPYRIGHT © 2020
MATERIAL: POLYCARBONATE / ALUMINIUM	X ±0.5 X.X ±0.2 X.XX ±0.1 X.XXX ±0.05 ANG ±0.5°	
FINISH: FINE EDM / ANODISED		
COLOUR: VARIOUS		
THIS DRAWING & ASSOCIATED CAD FILES ARE ISSUED IN THE STRICTEST CONFIDENCE AND ARE ONLY TO BE USED IN THE COMMERCIAL INTERESTS OF CMS ELECTRACOM PTY LTD		TITLE: ACCEDE DUAL LID WITH 4 US SOCKETS + SW18UAC65FL + 4 DATA WITH SWITCH DRAWING: LU48380 SCALE 2:1
DRAWN IN mm TO AS1100 DO NOT SCALE		REV: 1 SHEET 3 OF 3 A3