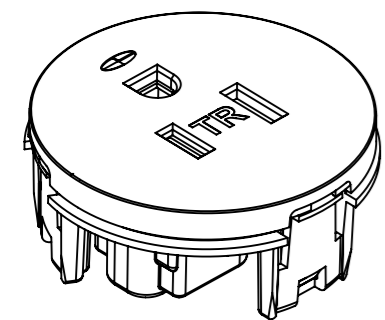
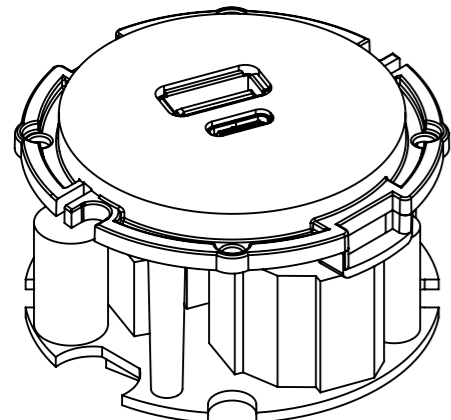
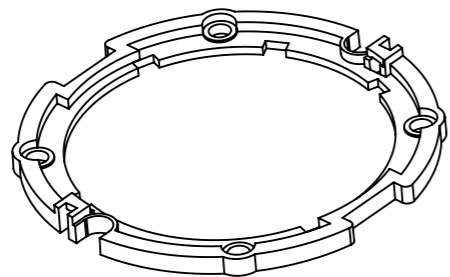


USE LU21933 WHEN INSTALLING GPO

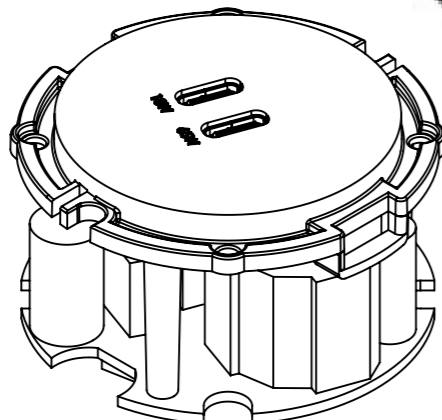
FACTORY ONLY INSERTABLE MODULES
REFER PAGE 2 FOR
MODULE CONFIGURATION



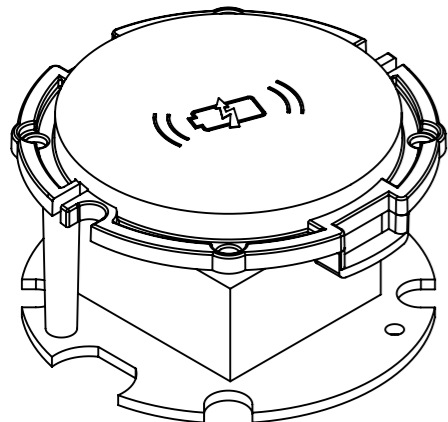
ASMUSRW
SOCKET OUTLET = F



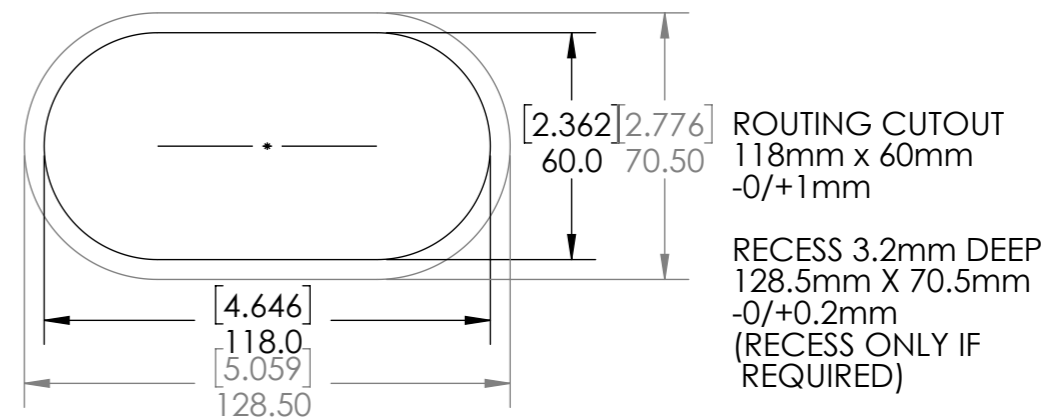
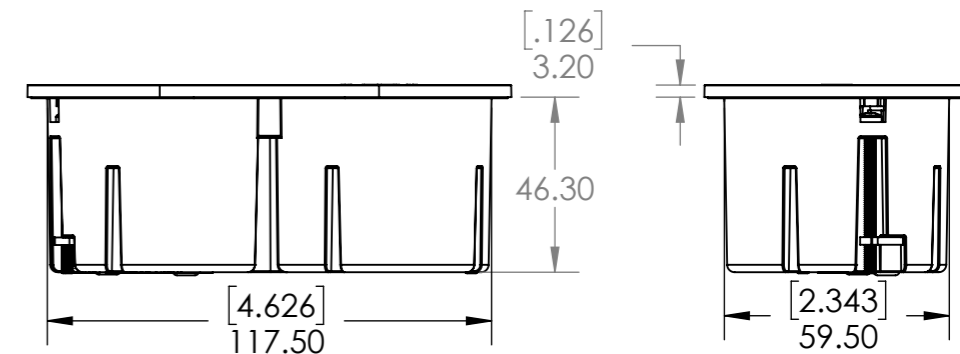
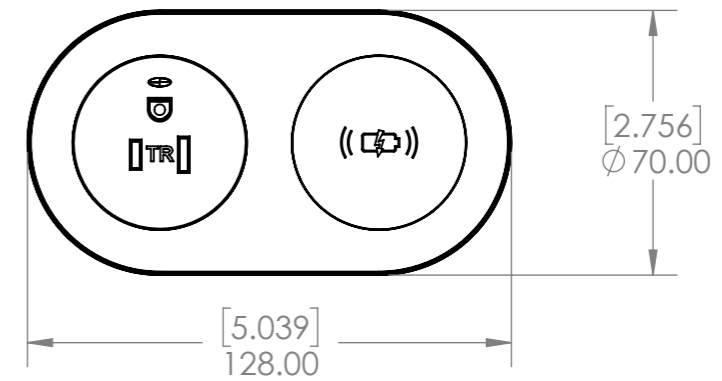
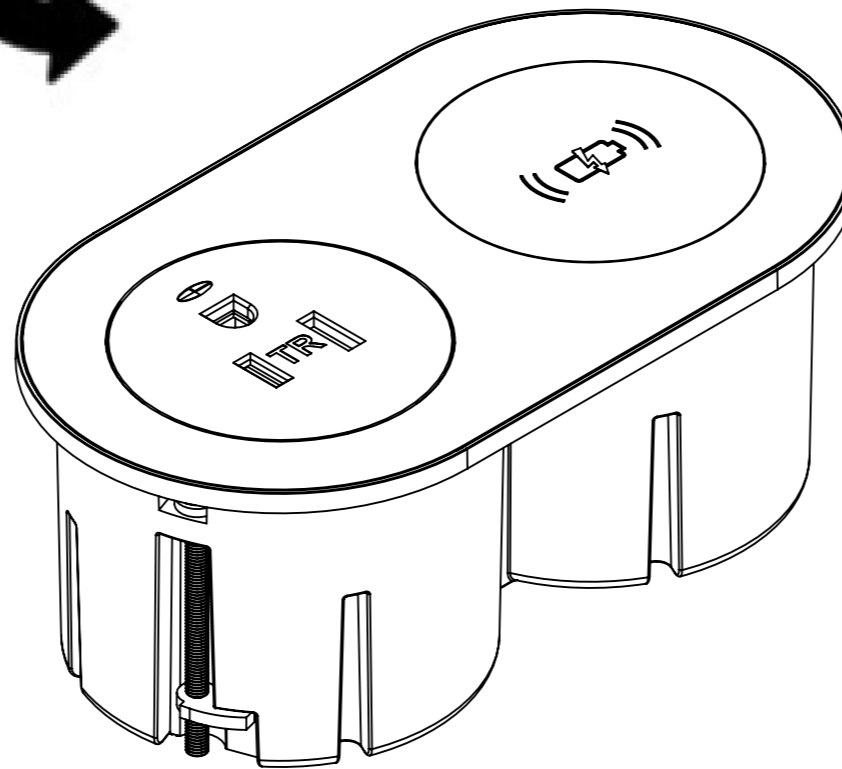
LU36139 USB 30W AC MODULE = U
LU46766 USB 65W AC MODULE = U4



LU46727 USB 65W CC
MODULE = U5




LU36140
WIRELESS CHARGING MODULE = W



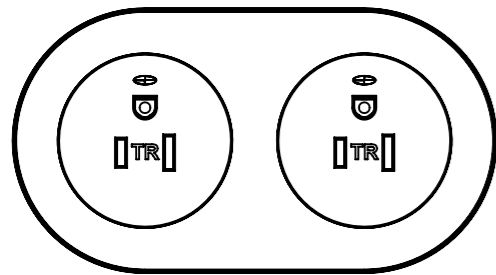
REV	DESCRIPTION	DATE	DRWN	APPV
1	RELEASED FOR PRODUCTION	2/09/2025	AP	RG
REVISIONS				

CUSTOMER SIGNATURE:	
MATERIAL:	PC-FR
FINISH:	TEXTURED
COLOUR:	WHITE OR BLACK / BRASS OR S.S
THIS DRAWING & ASSOCIATED CAD FILES ARE ISSUED IN THE STRICTEST CONFIDENCE AND ARE ONLY TO BE USED IN THE COMMERCIAL INTERESTS OF CMS ELECTRACOM PTY LTD	

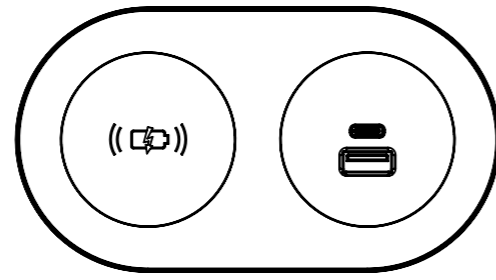
TOLERANCES UNLESS OTHERWISE STATED:
X ±0.5
X.X ±0.2
X.XX ±0.1
X.XXX ±0.05
ANG ±0.5°
DRAWN IN mm TO AS1100 DO NOT SCALE

 CMS Electracom <small>COPYRIGHT © 2015</small>	
TITLE: US MULTI 2 ECHO INFILL COVER	
DRAWING: LU49276	REV: 1
SCALE 1:2	SHEET 1 OF 4

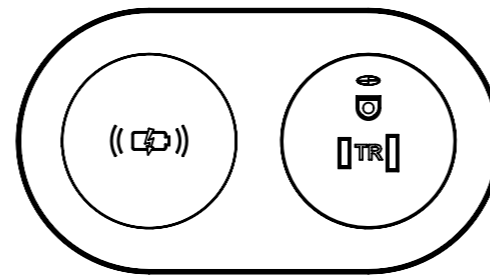
A3



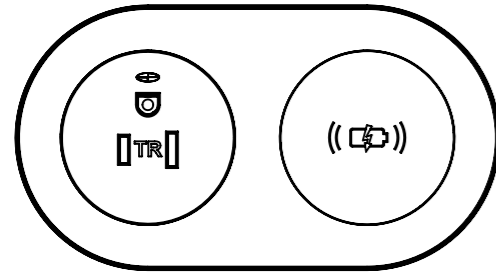
EDIF1F1XXXDXX



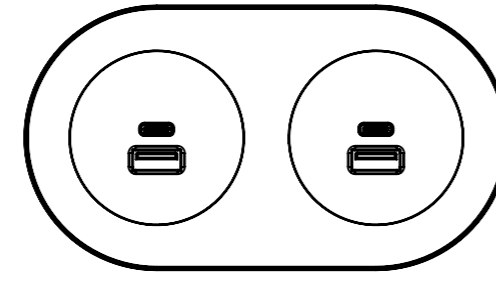
EDIWUXXXDXX / EDIWU4XXXDXX



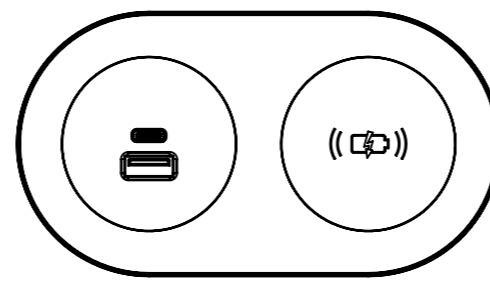
EDIWF1XXXDXX



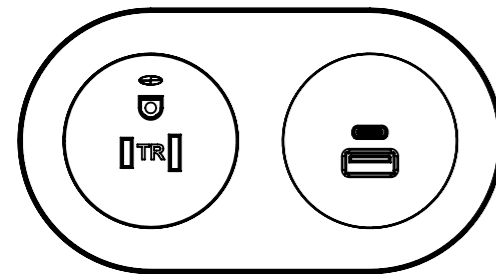
EDIF1WXXXDXX



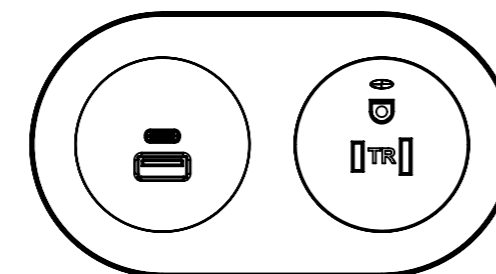
EDIUUXXXDXX / EDIU4U5XXXDXX



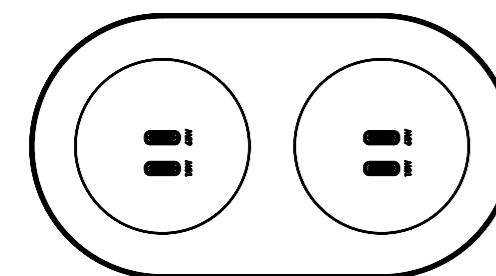
EDIUWXXXDXX / EDIU4WXXXDXX



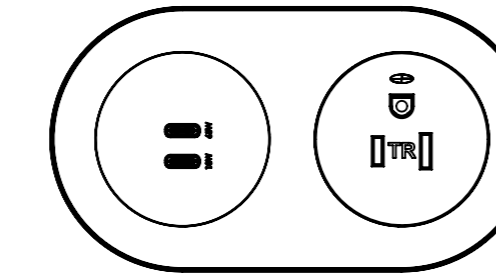
EDIF1UXXXDXX / EDIA1U4XXXDXX



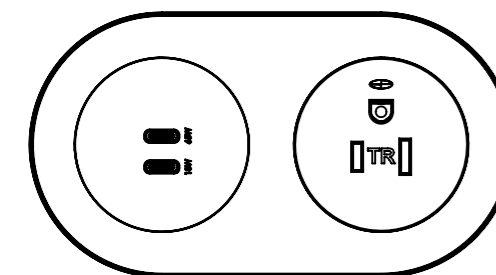
EDIU1F1XXXDXX / EDIU4F1XXXDXX



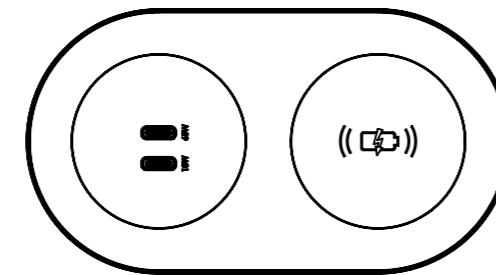
EDIU5U5XXXDXX



EDIU5F1XXXDXX



EDIU5F1XXXDXX

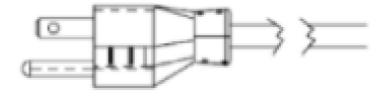


EDIU5WXXXDXX

GPO positions can be rotated
 Define this by F1 = Standard
 F2 = rotated clockwise 90 deg
 F3 = rotated clockwise 180 deg
 F4 = rotated clockwise 270 deg

PART NUMBER: EDIF1F1XxxDXX
 NOTE - X - LEAD TYPE (TAG = T OR 3PIN PLUG = A)
 xx - LENGTH - A / B / C / D / E / F / G / H / I / J
 XX - COLOUR - WT / BK / WS / WB / BS / BB

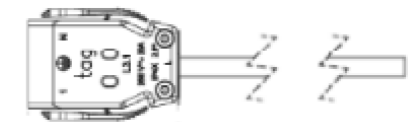
NOTE:



CABLE TYPE: 3 CORE x 2.08mm² (14AWG)
 DESCRIPTION: US PLUG LEAD
 COLOUR: WHITE OR BLACK
 (REFER TO PURCHASE ORDER)
 LENGTH (mm):

x	LENGTH
A	1.5FT (457.2mm)
B	3.0FT (914.4mm)
C	4.0FT (1219.2mm)
D	5.0FT (1524mm)
E	6.0FT (1828.8mm)
F	8.0FT (2438.4mm)
G	10.0FT (3048mm)
H	12.0FT (3657.6mm)
I	15.0FT (4572mm)
J	18.0FT (5486.4mm)
K	21.0FT (6400.8mm)
L	24.0FT (7315.2mm)

NOTE:



CABLE TYPE: 3 CORE x 2.08mm² (14AWG)
 DESCRIPTION: US PLUG LEAD
 COLOUR: WHITE OR BLACK
 (REFER TO PURCHASE ORDER)
 LENGTH (mm):

1FT (305mm)
2FT (610mm)
3FT (915mm)
4FT (1220mm)
5FT (1525mm)
6FT (1830mm)
7FT (2135mm)
8FT (2440mm)

CUSTOMER SIGNATURE:	TOLERANCES UNLESS OTHERWISE STATED: X ±0.5 X.X ±0.2 X.XX ±0.1 X.XXX ±0.05 ANG ±0.5°
MATERIAL: PC-FR	
FINISH: TEXTURED	
COLOUR: WHITE OR BLACK / BRASS OR S.S	
THIS DRAWING & ASSOCIATED CAD FILES ARE ISSUED IN THE STRICTEST CONFIDENCE AND ARE ONLY TO BE USED IN THE COMMERCIAL INTERESTS OF CMS ELECTRACOM PTY LTD	
DRAWN IN mm TO AS1100 DO NOT SCALE	

 **CMS Electracom** COPYRIGHT © 2015

TITLE:
US MULTI 2 ECHO INFILL COVER

DRAWING: LU49276 **REV:** 1 **A3**

SCALE 1:2 SHEET 2 OF 4