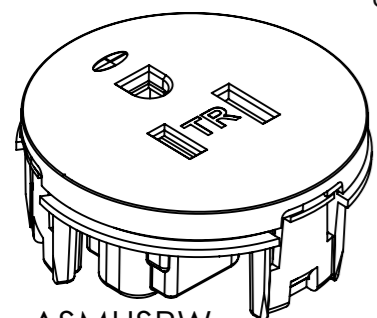
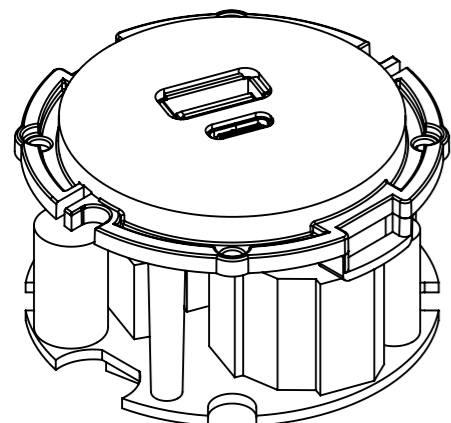
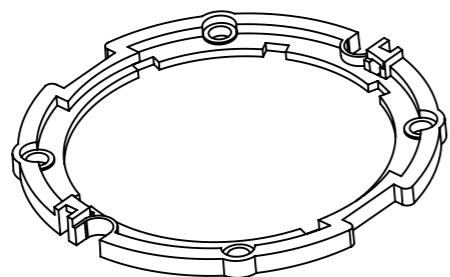


USE LU21933 WHEN INSTALLING GPO

FACTORY ONLY INSERTABLE MODULES
REFER PAGE 2 FOR
MODULE CONFIGURATION

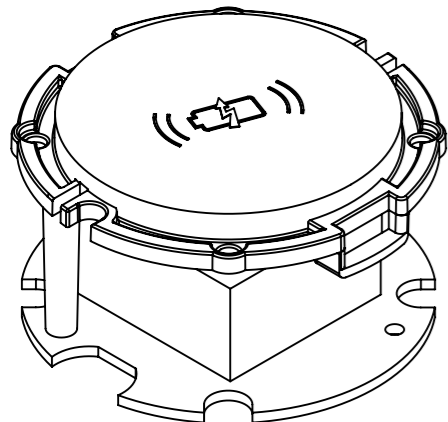


ASMUSRW
SOCKET OUTLET = F

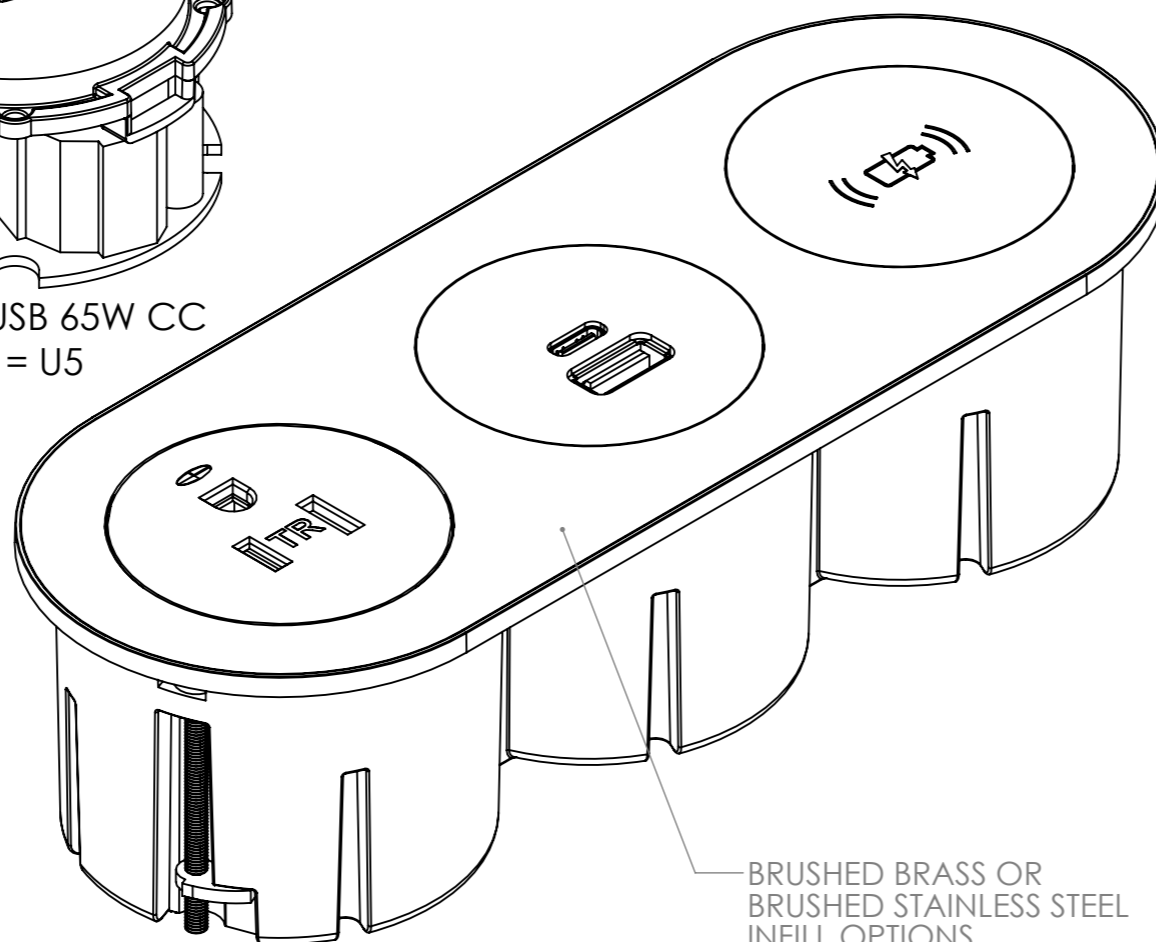


LU46727 USB 65W CC
MODULE = U5

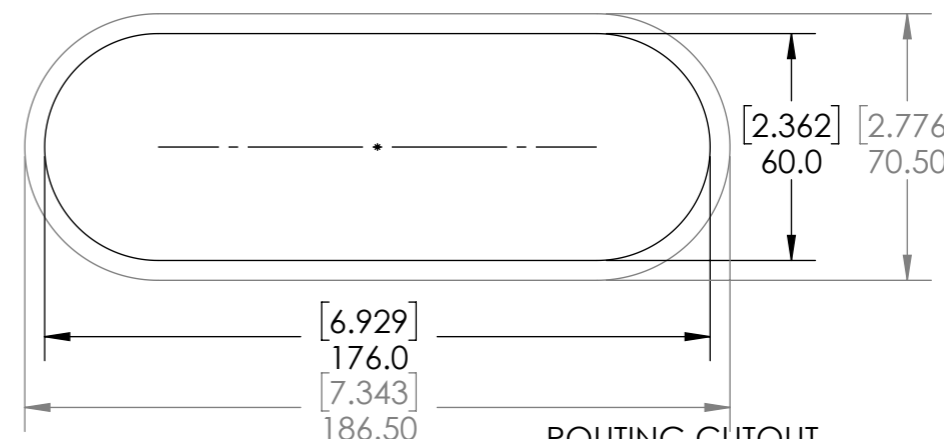
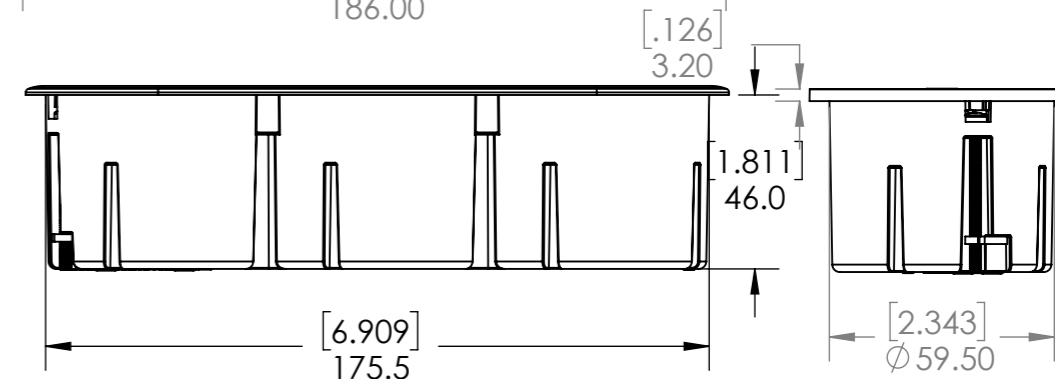
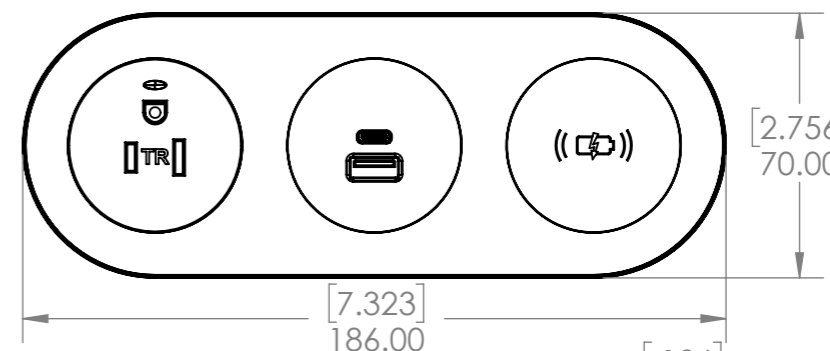
LU36139 USB 30W AC MODULE = U
LU46766 USB 65W AC MODULE = U4



LU36140
WIRELESS CHARGING MODULE = W



BRUSHED BRASS OR
BRUSHED STAINLESS STEEL
INFILL OPTIONS




ROUTING CUTOUT
176mm x 60mm
-0/+1mm

RECESS 3.2mm deep
186.5mm x 70.5mm
-0/+0.2mm
(RECESS ONLY IF
REQUIRED)

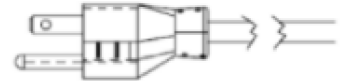
| | | | | |
|-----------|-------------------------|---------|------|------|
| 1 | RELEASED FOR PRODUCTION | 26/8/25 | AP | RG |
| REV | DESCRIPTION | DATE | DRWN | APPV |
| REVISIONS | | | | |

| |
|--|
| CUSTOMER SIGNATURE: |
| MATERIAL: PC FR |
| FINISH: TEXTURED / BRUSHED |
| COLOUR: WHITE OR BLACK / BRASS OR S.S |
| THIS DRAWING & ASSOCIATED CAD FILES ARE ISSUED IN THE STRICTEST CONFIDENCE AND ARE ONLY TO BE USED IN THE COMMERCIAL INTERESTS OF CMS ELECTRACOM PTY LTD |

| |
|---|
| TOLERANCES UNLESS OTHERWISE STATED: X ±0.5 X.X ±0.2 X.XX ±0.1 X.XXX ±0.05 ANG ±0.5° |
| DRAWN IN mm TO AS1100 DO NOT SCALE |

| | | | |
|---|--|------------------|---------------------------------|
|  CMS Electracom | | | <small>COPYRIGHT © 2015</small> |
| TITLE: US MULTI 3 ECHO ASSEMBLY INFILL COVER | | | |
| DRAWING: LU49283 | | REV: 1 | |
| SCALE 1:2 | | SHEET 1 OF 5 | |
| | | | A3 |

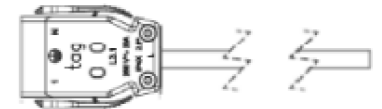
NOTE:



CABLE TYPE: 3 CORE x 2.08mm² (14AWG)
 DESCRIPTION: US PLUG LEAD
 COLOUR: WHITE OR BLACK
 (REFER TO PURCHASE ORDER)

| x | LENGTH |
|---|-------------------|
| A | 1.5FT (457.2mm) |
| B | 3.0FT (914.4mm) |
| C | 4.0FT (1219.2mm) |
| D | 5.0FT (1524mm) |
| E | 6.0FT (1828.8mm) |
| F | 8.0FT (2438.4mm) |
| G | 10.0FT (3048mm) |
| H | 12.0FT (3657.6mm) |
| I | 15.0FT (4572mm) |
| J | 18.0FT (5486.4mm) |
| K | 21.0FT (6400.8mm) |
| L | 24.0FT (7315.2mm) |

NOTE:



CABLE TYPE: 3 CORE x 2.08mm² (14AWG)
 DESCRIPTION: US PLUG LEAD
 COLOUR: WHITE OR BLACK
 (REFER TO PURCHASE ORDER)

| LENGTH (mm): | |
|--------------|--|
| 1FT (305mm) | |
| 2FT (610mm) | |
| 3FT (915mm) | |
| 4FT (1220mm) | |
| 5FT (1525mm) | |
| 6FT (1830mm) | |
| 7FT (2135mm) | |
| 8FT (2440mm) | |

| | | |
|--------------------------------------|-----------------------------------|----------------------------------|
| ETIF1F1F1XXXDXX | ETIUWUXXXDXX / ETIU5WU4XXXDXX | ETIWUXXXDXX / ETIWU4U4XXXDXX |
| ETIF1F1UXXXDXX / ETIF1F1U4XXXDXX | ETIU4F1F1XXXDXX | ETIWUWXXXDXX / ETIWU4WXXXDXX |
| ETIF1F1WXXXDXX | ETIU4F1U4XXXDXX | ETIU4F1XXXDXX |
| ETIF1U4F1XXXDXX | ETIU4F1WXXXDXX | ETIWF1U4XXXDXX |
| ETIF1U4U4XXXDXX | ETIU4F1WXXXDXX | ETIWF1U4XXXDXX |
| ETIF1U4WXXXDXX | ETIU4F1XXXDXX | ETIWF1U4XXXDXX |
| ETIF1U4XXXDXX / ETIF1U4WXXXDXX | ETIU4U4XXXDXX | ETIWF1U4XXXDXX |
| ETIF1U4WXXXDXX | ETIU4U4WXXXDXX | |
| ETIF1U4XXXDXX / ETIF1U4WXXXDXX | ETIU4U4WXXXDXX | |

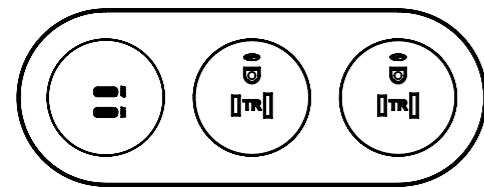
PART NUMBER: ETIF1F1F1XxxDXX

NOTE - X - LEAD TYPE (TAG OR 3PIN PLUG)
 xx - LENGTH - A / B / C / D / E / F / G / H / I / J
 XX - COLOUR - WT / BK / WS / WB / BS / BB

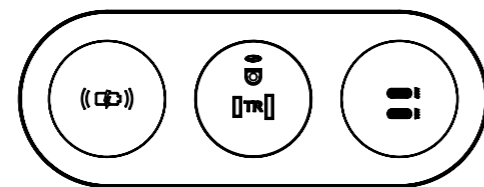
| | |
|--|---|
| CUSTOMER SIGNATURE: | TOLERANCES UNLESS OTHERWISE STATED: |
| MATERIAL: PC FR | X ±0.5 X.X ±0.2 X.XX ±0.1 X.XXX ±0.05 ANG ±0.5° |
| FINISH: TEXTURED / BRUSHED | |
| COLOUR: WHITE OR BLACK / BRASS OR S.S | |
| THIS DRAWING & ASSOCIATED CAD FILES ARE ISSUED IN THE STRICTEST CONFIDENCE AND ARE ONLY TO BE USED IN THE COMMERCIAL INTERESTS OF CMS ELECTRACOM PTY LTD | DRAWN IN mm TO AS1100 DO NOT SCALE |



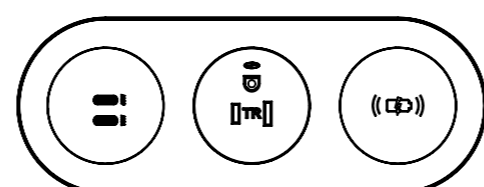
| | | |
|--|------------------|-----------|
| TITLE: US MULTI 3 ECHO ASSEMBLY INFILL COVER | | |
| DRAWING: LU49283 | REV: 1 | A3 |
| SCALE 1:2 | SHEET 2 OF 5 | |



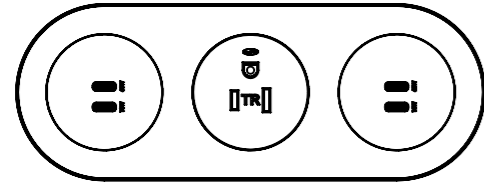
ETIU5F1F1XXXDXX



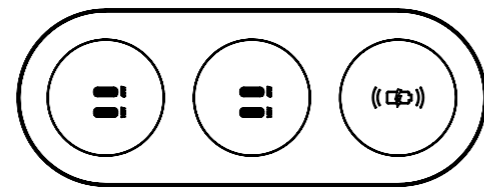
ETIUWF1U5XXXDXX



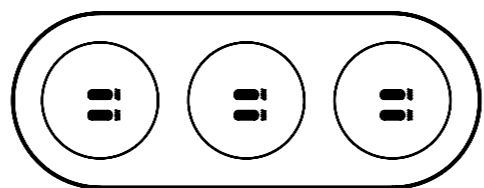
ETIU5F1WXXXDXX



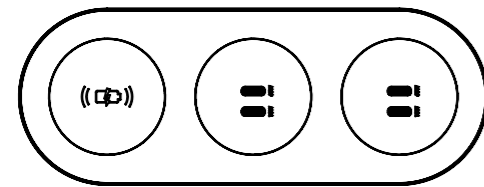
ETIU5F1U5XXXDXX



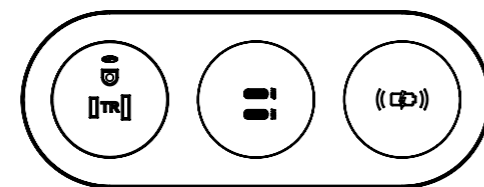
ETIU5U5WXXXDXX



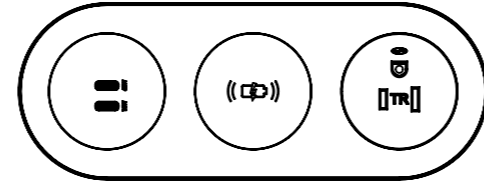
ETIU5U5U5XXXDXX



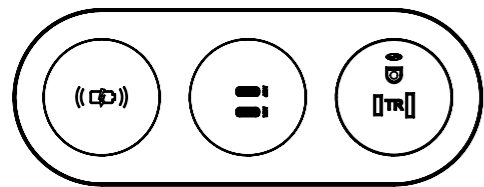
ETIUWU5U5XXXDXX



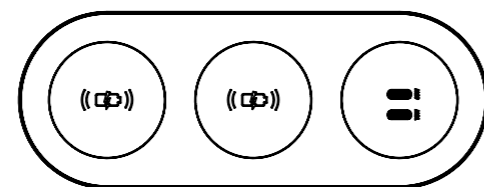
ETIF1U5WXXXDXX



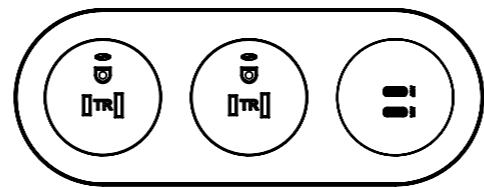
ETIU5WF1XXXDXX



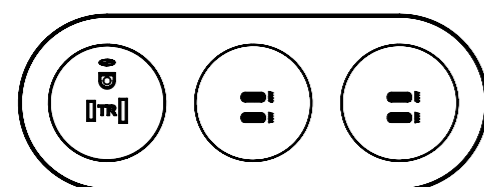
ETIUWU5F1XXXDXX



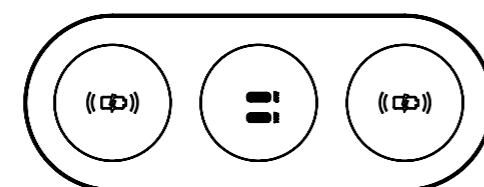
ETIWWU5XXXDXX



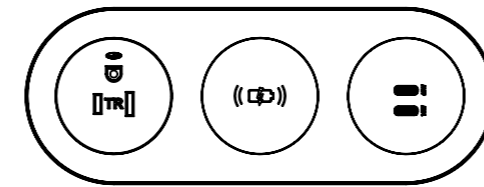
ETIF1F1U5XXXDXX



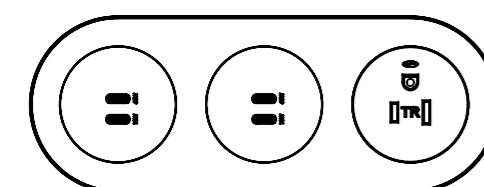
ETIF1U5U5XXXDXX



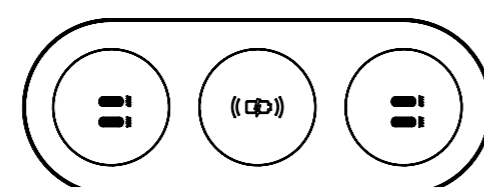
ETIUWU5WXXXDXX



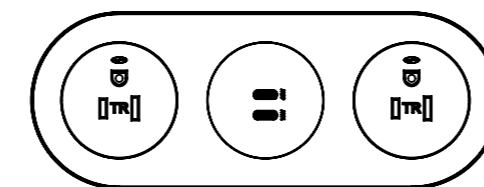
ETIF1WU5XXXDXX



ETIU5U5F1XXXDXX



ETIU5WU5XXXDXX




ETIF1U5F1XXXDXX

GPO positions can be rotated
Define this by F1 = Standard
F2 = rotated clockwise 90 deg
F3 = rotated clockwise 180 deg
F4 = rotated clockwise 270 deg

PART NUMBER: ETIF1F1F1XxxDXX

NOTE - X - LEAD TYPE (TAG OR 3PIN PLUG)
xx - LENGTH - A / B / C / D / E / F / G / H / I / J
XX - COLOUR - WT / BK / WS / WB / BS / BB

| | | | | |
|--|---|---|---------------------|-----------|
| CUSTOMER SIGNATURE: | TOLERANCES UNLESS OTHERWISE STATED: X ±0.5 X.X ±0.2 X.XX ±0.1 X.XXX ±0.05 ANG ±0.5° |  CMS Electracom <small>COPYRIGHT © 2015</small> | | |
| MATERIAL: | | TITLE: US MULTI 3 ECHO ASSEMBLY INFILL COVER | | |
| FINISH: | | DRAWING: LU49283 | | |
| COLOUR: | | REV: 1 | | |
| THIS DRAWING & ASSOCIATED CAD FILES ARE ISSUED IN THE STRICTEST CONFIDENCE AND ARE ONLY TO BE USED IN THE COMMERCIAL INTERESTS OF CMS ELECTRACOM PTY LTD | | SCALE 1:2 | SHEET 3 OF 5 | A3 |