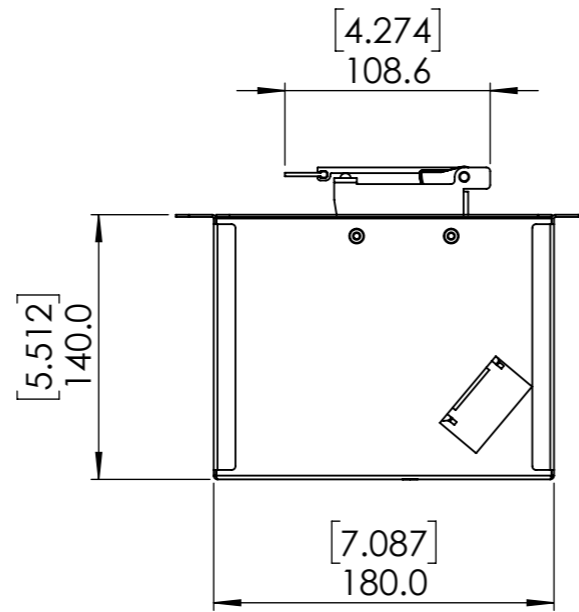
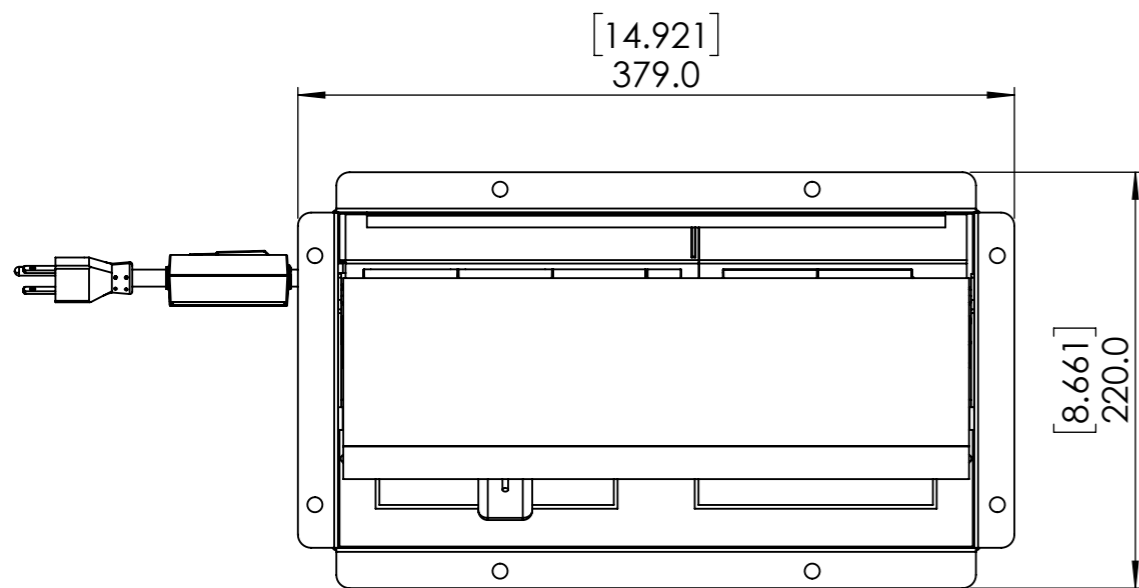
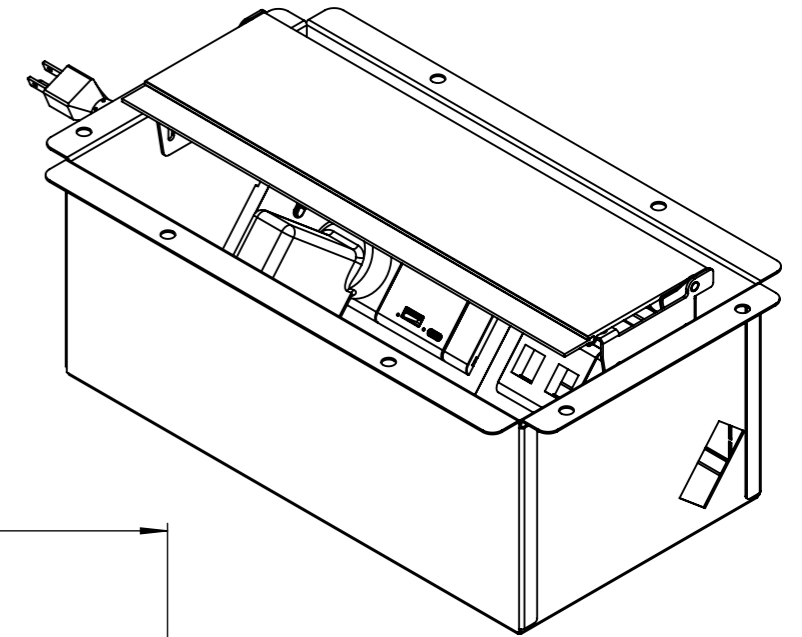


FRONT VIEW

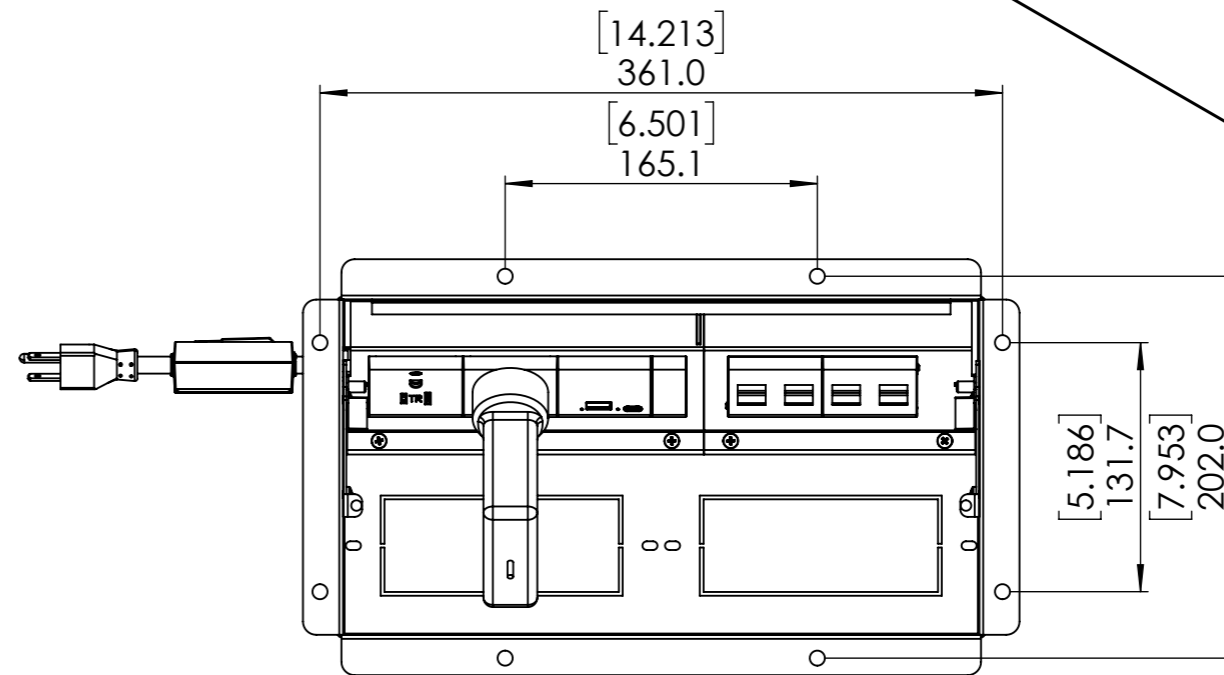


END VIEW

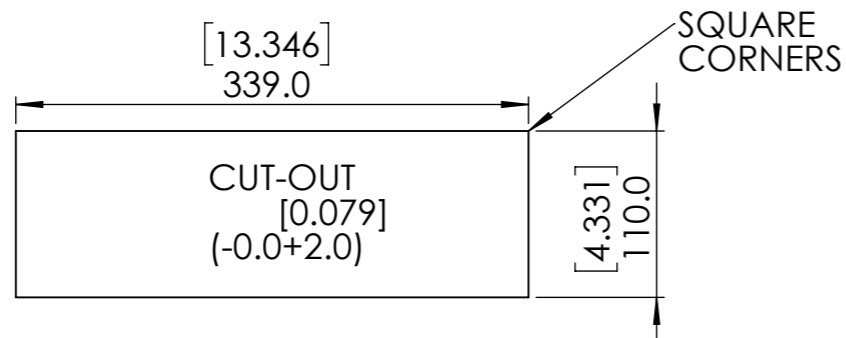
COLOUR VARIATIONS		
PART NUMBER	PLASTIC COMPONENTS	EXTRUSION
WT	WHITE	ANODISED SILVER
BK	BLACK	ANODISED SILVER
BK/BK	BLACK	POWDERCOATED BLACK MANNEX
WT/WT	WHITE	POWDERCOATED WHITE SATIN
WT/WM	WHITE	POWDERCOATED WHITE MANNEX



TOP VIEW




TOP VIEW-NO LID



PART NUMBER: 1EX102UAC304XX

NOTE - XX - COLOUR - WT / BK / (BK/BK) / (WT/WT) / (WT/WM)

CUSTOMER SIGNATURE:	TOLERANCES UNLESS OTHERWISE STATED: X ±0.5 X.X ±0.2 X.XX ±0.1 X.XXX ±0.05 ANG ±0.5°	 CMS Electracom <small>COPYRIGHT © 2020</small>	
MATERIAL: POLYCARBONATE/MILD STEEL		TITLE: EX1 US WITH 2 GPO+1 USB AC3+4 DATA	
FINISH: TEXTURED/POWDERCOATED		DRAWING: LU45885	REV: 3
COLOUR: BLACK SATIN/SILVER BLACK	SCALE 1:4		
THIS DRAWING & ASSOCIATED CAD FILES ARE ISSUED IN THE STRICTEST CONFIDENCE AND ARE ONLY TO BE USED IN THE COMMERCIAL INTERESTS OF CMS ELECTRACOM PTY LTD		SHEET 1 OF 2	

REV	DESCRIPTION	DATE	DRWN	APPV
3	CHANGED DATA TILE TO KEYSTONE	15/10/2025	SP	AP
2	CHANGED HEYCO TO SR 6N 3-4/CHANGED LABEL	20/02/2025	GC	AP
1	RELEASED FOR PRODUCTION	18/06/2024	GC	AP
REVISIONS				