

THD-SWE1

Installation Instructions

Package Contents:

The THD-SWE1 consists of two separate units, the Power unit and THD100 unit. THD100 unit sold and assembled separately. THD 100 unit consist of THD 100, AC adapter, IEC lead & USB c lead.

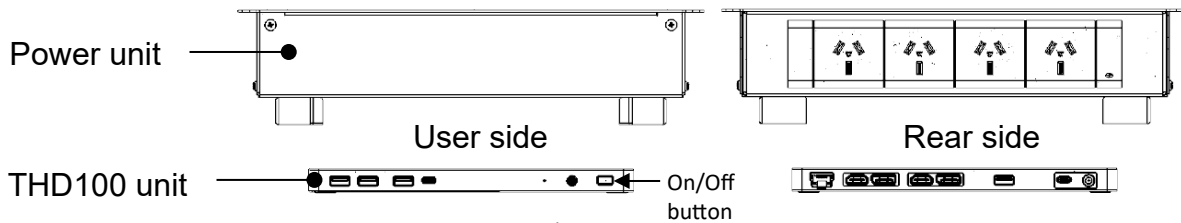


Figure 1

Installing the Power unit to the furniture:

Mount the Power Unit to the furniture using 4 screws (screws not provided). Choose the appropriate screw based on the furniture.

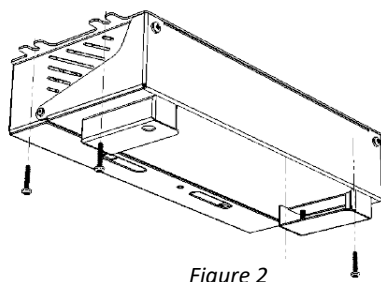


Figure 2

Assembling THD100 unit to Power unit:

- i. Unscrew two front screw with Philips head screwdriver. Strap AC adapter; connect the IEC lead to AC adapter & 3-pin socket.

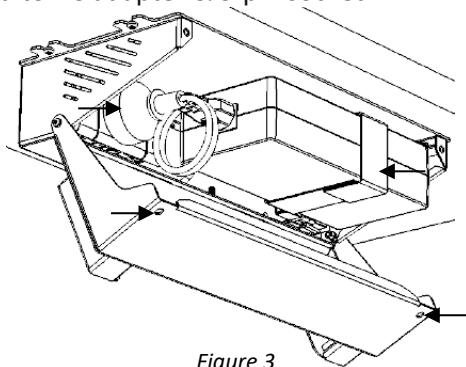


Figure 3

- ii. Take DC lead out through the slot shown in the below image.

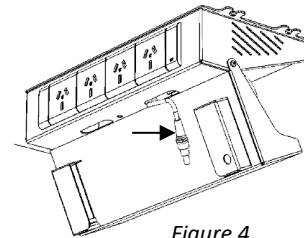


Figure 4

- iii. Tighten two front screws with Philips head screwdriver. Loosen bottom screw through access hole & rotate end bracket in anticlockwise direction.

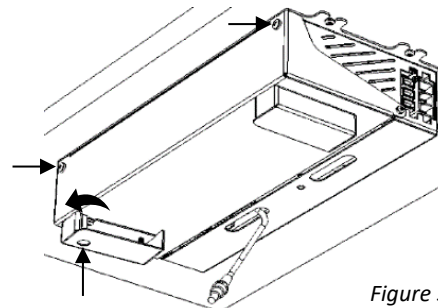


Figure 5

- iv. Insert THD 100 unit into the slot, rotate end bracket in a clockwise direction and tighten the screw. Connect DC lead to THD 100 unit.

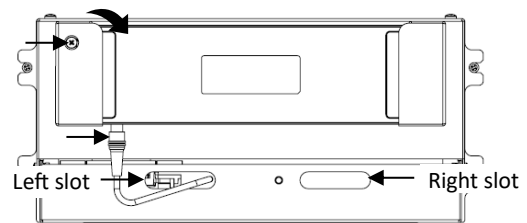


Figure 6

Note – THD 100 unit can be rotated 180° and mounted in such a way that on/off button is on the left side of the user. In such case take DC lead out from the right side of the slot.